

REV.	SPECIFICATION	ECN NO.	APPD.
X1			

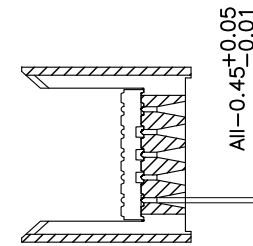
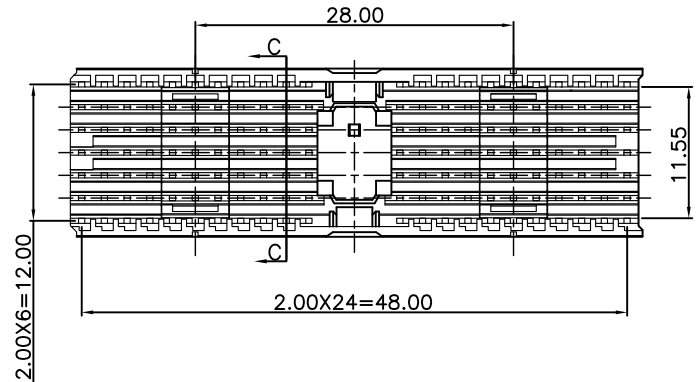
Material:

Housing: Thermoplastic Polyester Glass Filled UL94V-0.

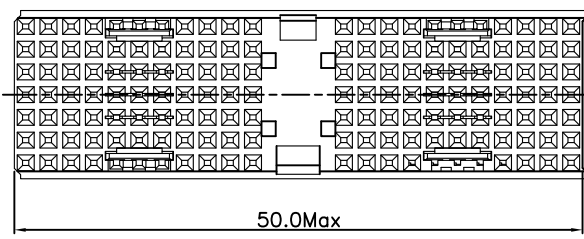
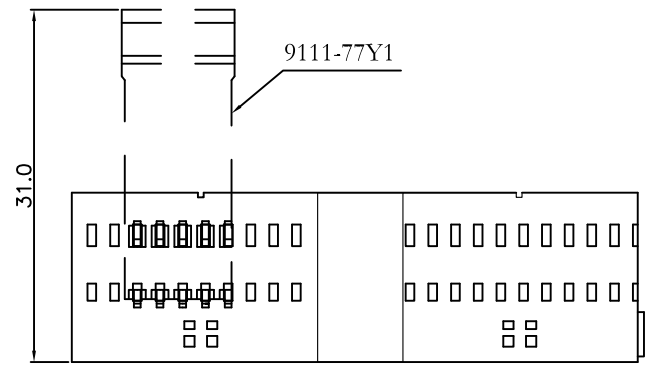
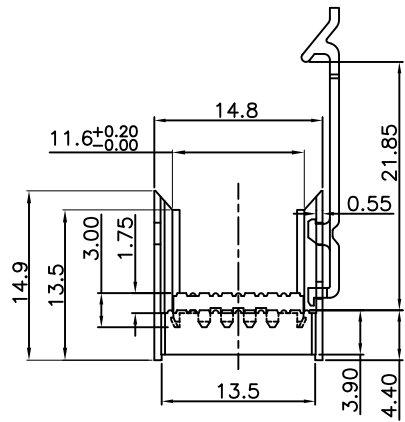
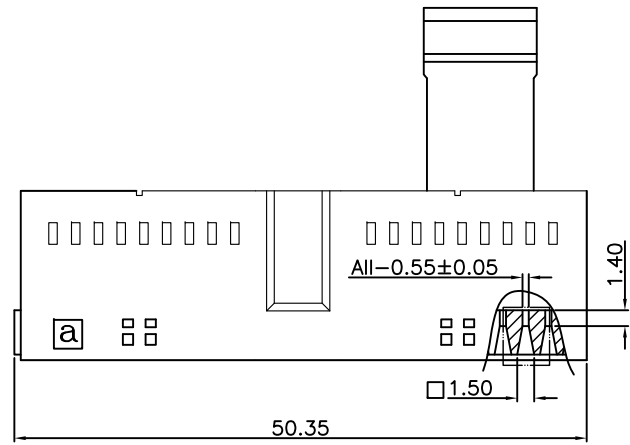
Electrical Characteristics:

Operating Temperature: -55°C ~+ 125°C.

***RoHS Compliant**



Section: C-C
Scale: 1 : 1



9111- 7 7 A 154 Y R U

Series — 7Row —
 With Locking —
 Device Type —
 Housing Type —
 Position —

U: Tube Package
 B: Bulk Package
 R: Underlay
 Y: Housing Color

Tolerances x = ±0.5 .x = ±0.25 .xx = ±0.15	Dwg. No.	9111D77008		Title: 9111 Series H.D. 2.0mm Male Shroud	 OUPIIN ELECTRONIC(KUNSHAN) CO., LTD.		
	Projection					P/N: 9111-77A154YRU	
	Unit	mm	Scale				1:1
	Drawn By	WP 01/07'15	SHEET				1/1