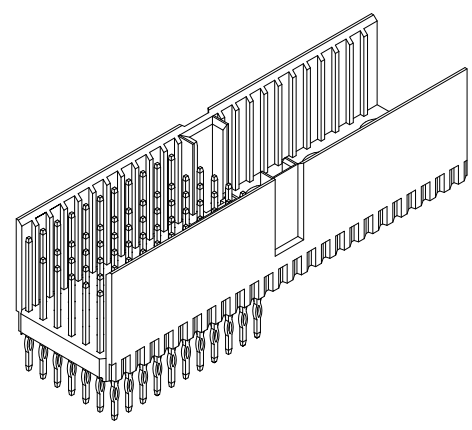
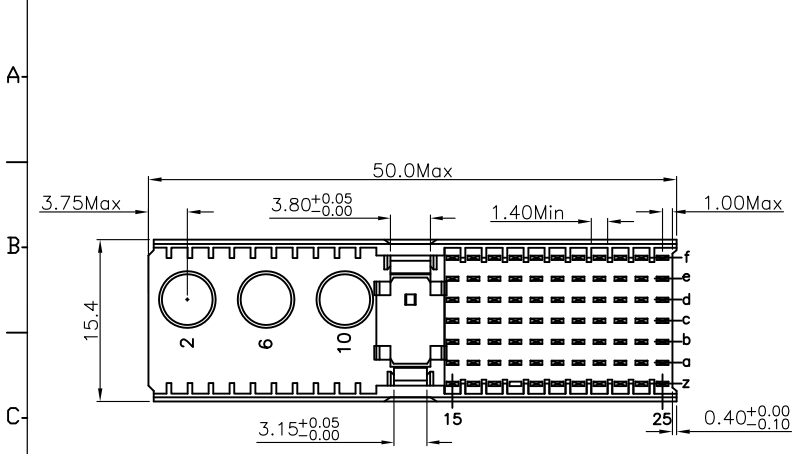


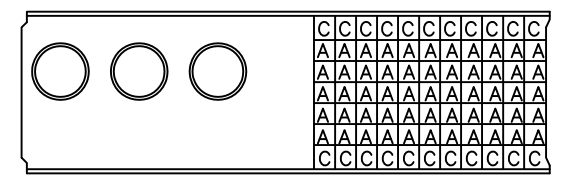
REV.	SPECIFICATION	ECN NO.	APPD.
R3		ECN161013	



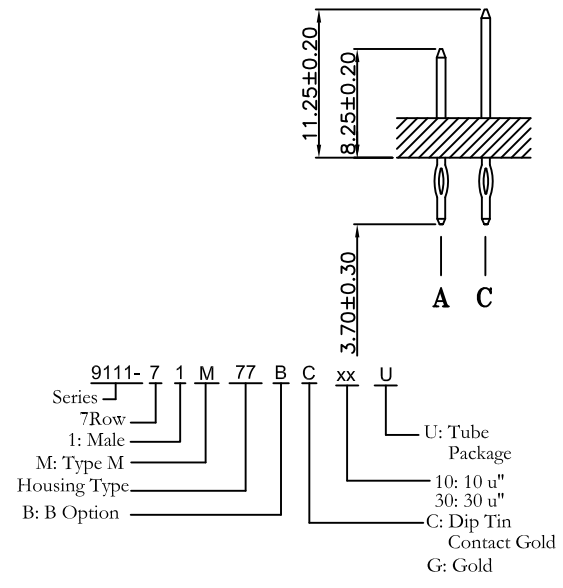
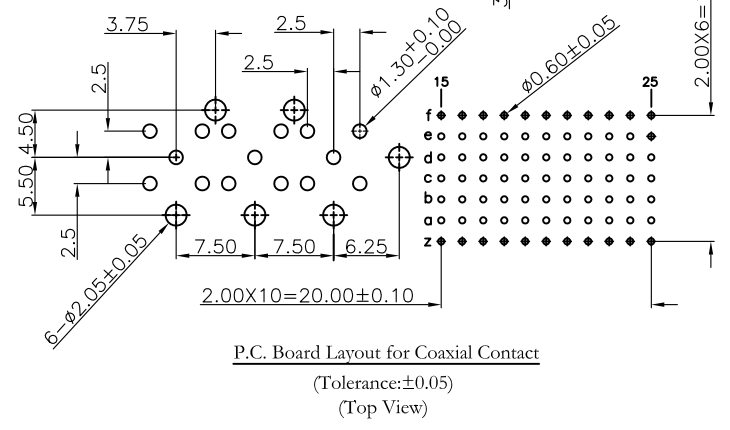
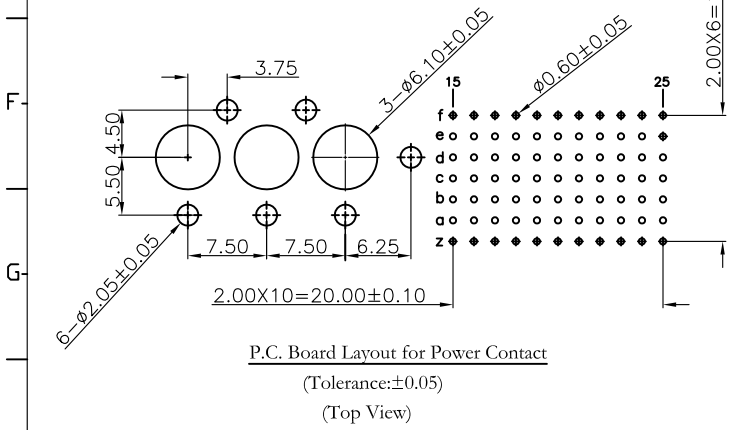
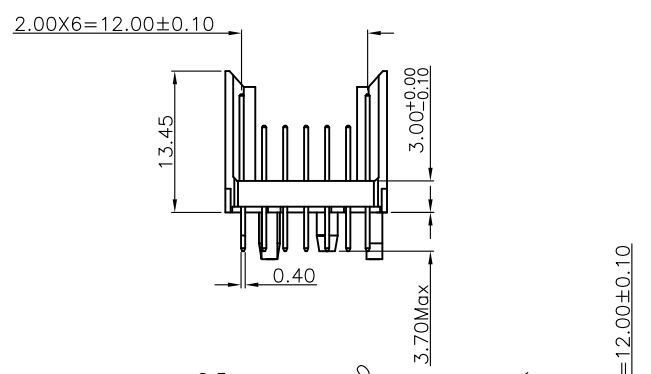
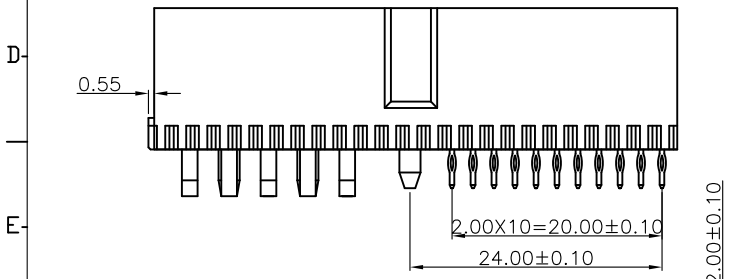
Material:
Housing: Thermoplastic Polyester Glass Filled UL94V-0
Contacts: Copper Alloy.

Electrical Characteristics:
Current Rating: 1 AMP.
Dielectric Withstanding Voltage: AC 750V For 1 minute.
Insulator Resistance: 10000MΩ min.at DC 500V.
Contact Resistance: 20mΩ max.at DC 100mA.
Operating Temperature: -55°C ~ +125°C.

***RoHS Compliant**



CONTACT LAYOUT



Tolerances	Dwg. No.	9111D71085	Title:	
x = ±0.5	Projection		9111 Series	
.x = ±0.25	Unit	mm	2.00 Hard Metric	
.xx = ±0.15	Scale	1:1	Connectors Male	
	Drawn By	LQ 10/14'16	Type M	

9111 Series
2.00 Hard Metric
Connectors Male
Type M

OUPIN			
OUPIN ELECTRONIC(KUNSHAN) CO., LTD.			
P/N: 9111-71M77BCxxU			
SHEET	1/1	Ver.No.	R3