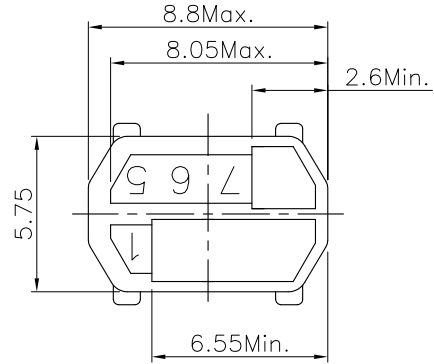


REV.	SPECIFICATION	ECN NO.	APPD.
R1			



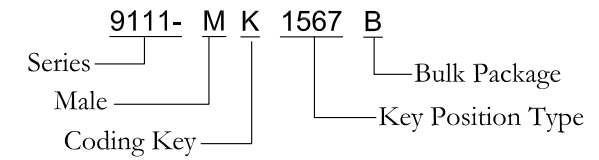
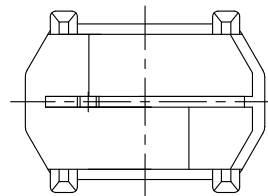
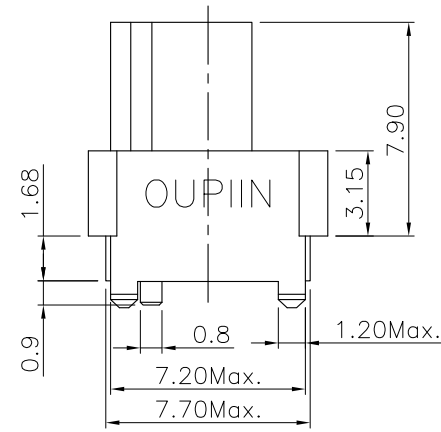
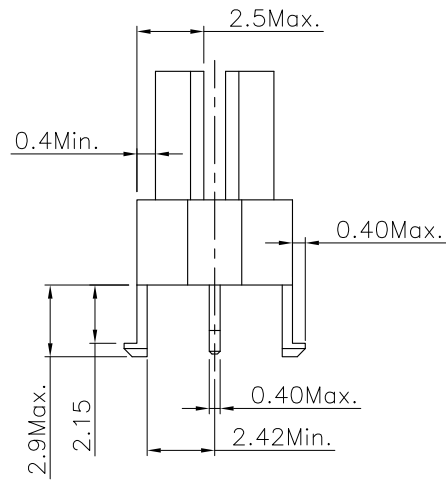
Material:

Housing: 30% Glass Filled PBT UL94V-0.

Electrical Characteristics:

Operating Temperature: -55°C ~+105°C .

***RoHS Compliant**



Tolerances	Drawn No.	9111D01007		Title:	
x = ±0.5	Projection	⊕ ⊖		9111 Series Male Coding Key	
.x = ±0.25	Unit	mm	Scale		1:1
.xx = ±0.15	Drawn By	Liling 01/21'09			

OUPIN			
OUPIN ELECTRONIC(KUNSHAN) CO., LTD.			
P/N:		9111-MK1567B	
SHEET	1/1	Ver.No.	R1