

REV.	SPECIFICATION	ECN NO.	APPD.
R1			

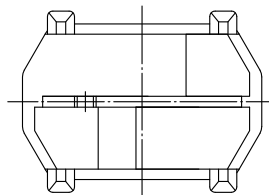
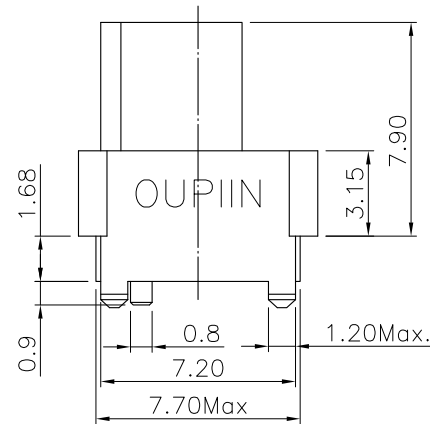
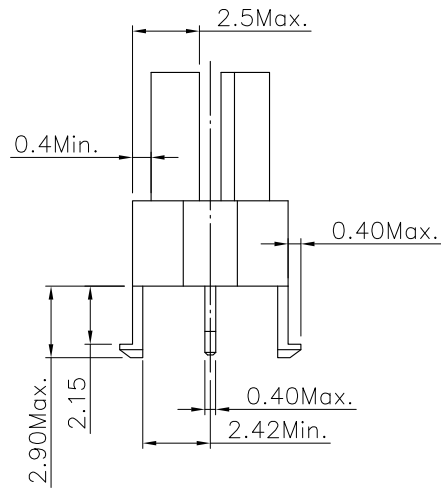
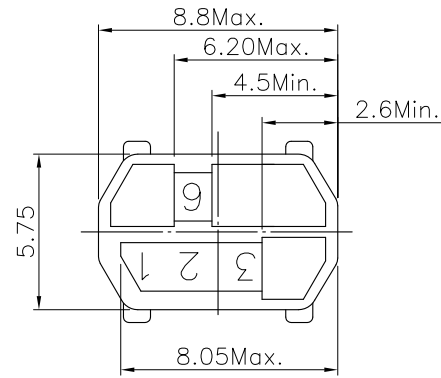
Material:

Housing: 30% Glass Filled PBT UL94V-0.

Electrical Characteristics:

Operating Temperature: -55°C ~ +105°C .

***RoHS Compliant**



9111- M K 1236 B
 Series — Male — Coding Key — Bulk Package — Key Position Type

Tolerances	Drawn No.	9111D01010		Title:	9111 Series Male Coding Key	
x = ±0.5	Projection	⊕ ⊖				
.x = ±0.25	Unit	mm	Scale	1:1		
.xx = ±0.15	Drawn By	Liling 01/21'08				

OUPIIN			
OUPIIN ELECTRONIC(KUNSHAN) CO., LTD.			
P/N: 9111-MK1236B			
SHEET	1/1	Ver.No.	R1