

REV.	SPECIFICATION	ECN NO.	APPD.
R10		ECN230636	

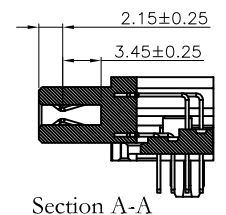
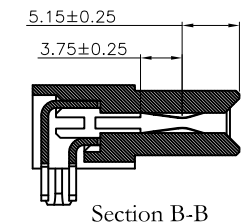
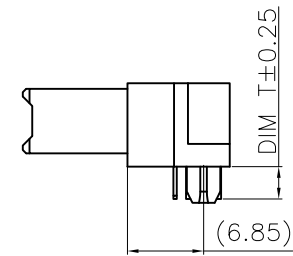
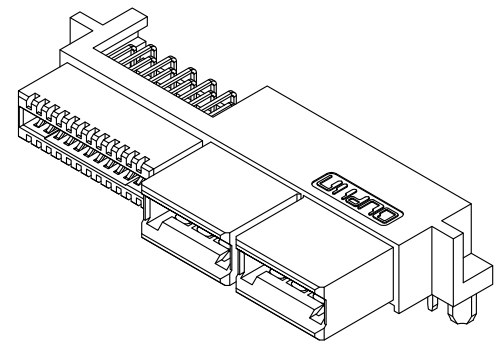
**Material and Plating:**

**Housing:** LCP, UL94V-0 , Black.  
**Cover:** LCP, UL94V-0 , Black.  
**Power Contacts:** High Conductivity Copper.  
 Gold Plated or Au+Pd/Ni on Contact Area and 80u" Min Tin Plated on Solder Tail over Nickel 50u" Min.  
**Signal Contacts :** Phosphor Bronze.  
 Gold Plated or Au+Pd/Ni on Contact Area and 80u" Min Tin Plated on Solder Tail over Nickel 50u" Min.

**Electrical Characteristics:**

**Current Rating:** Signal Pin 1.0 AMP.  
 Power Pin 30 AMP.  
**Insulator Resistance:** 5000MΩ min. at DC 500V.  
**Dielectric Withstanding Voltage:**  
 Signal Pin DC 1500V For 1 minute.  
 Power Pin DC 1500V For 1 minute.  
**Contact Resistance:** Signal Pin 20mΩ max. at DC 20mA.  
 Power Pin 5mΩ max. at DC 20mA.  
**Operating Temperature:** -40°C ~+105°C .

**\*RoHS Compliant**

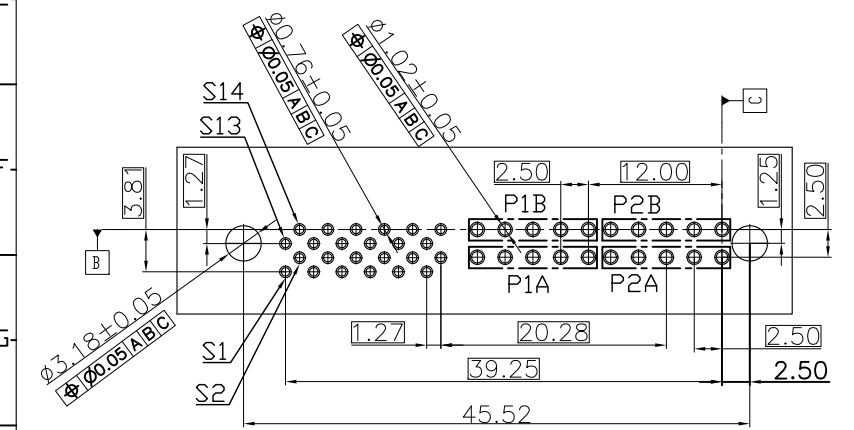
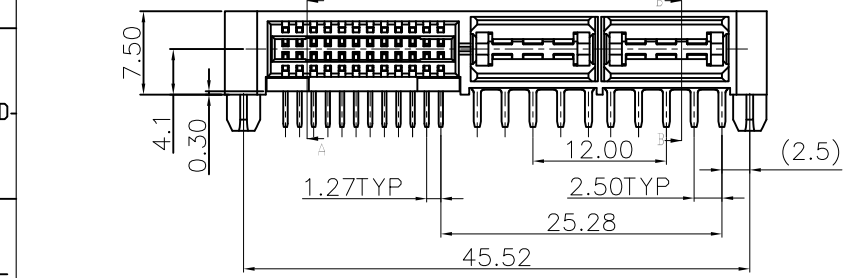
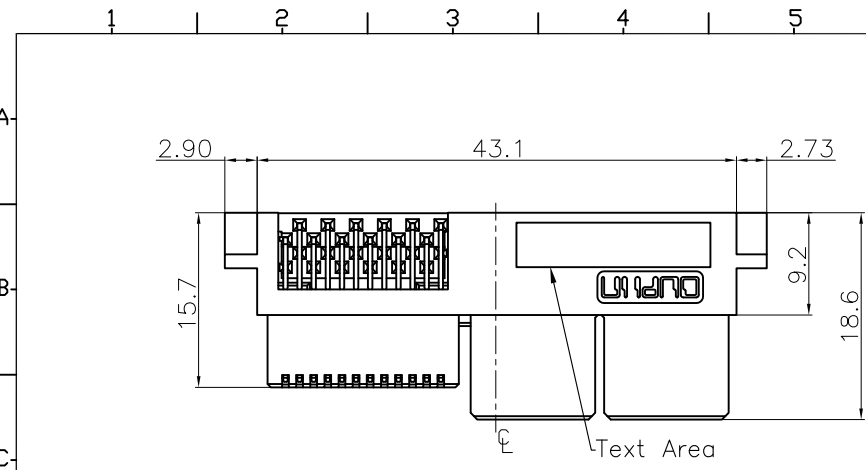


Section B-B

Section A-A

- Series 9392 - 4 S S24 P04 P 1 x C xx D x
- 4:Female Right Angle
- S:With Slot
- Blank:W/O Slot
- S24:Signal Pin
- P04:Power Contact
- N: W/O Post
- P:With Post
- 1: Without Guides
- A:Tray Package
- T:Tape & Reel
- D:Dip Type
- 10: 10 u"
- 30: 30 u"
- C:Dip Tin Contact Gold
- CB30: 30 u" Au+Pd/Ni Plated on Contact Area,Dip Tin
- 1: Dim T=2.50mm
- 2: Dim T=2.90mm
- 3: Dim T=3.60mm
- 4: Dim T=4.20mm

TYPE NO.	1	2	3	4
DIM T	2.50	2.90	3.60	4.20

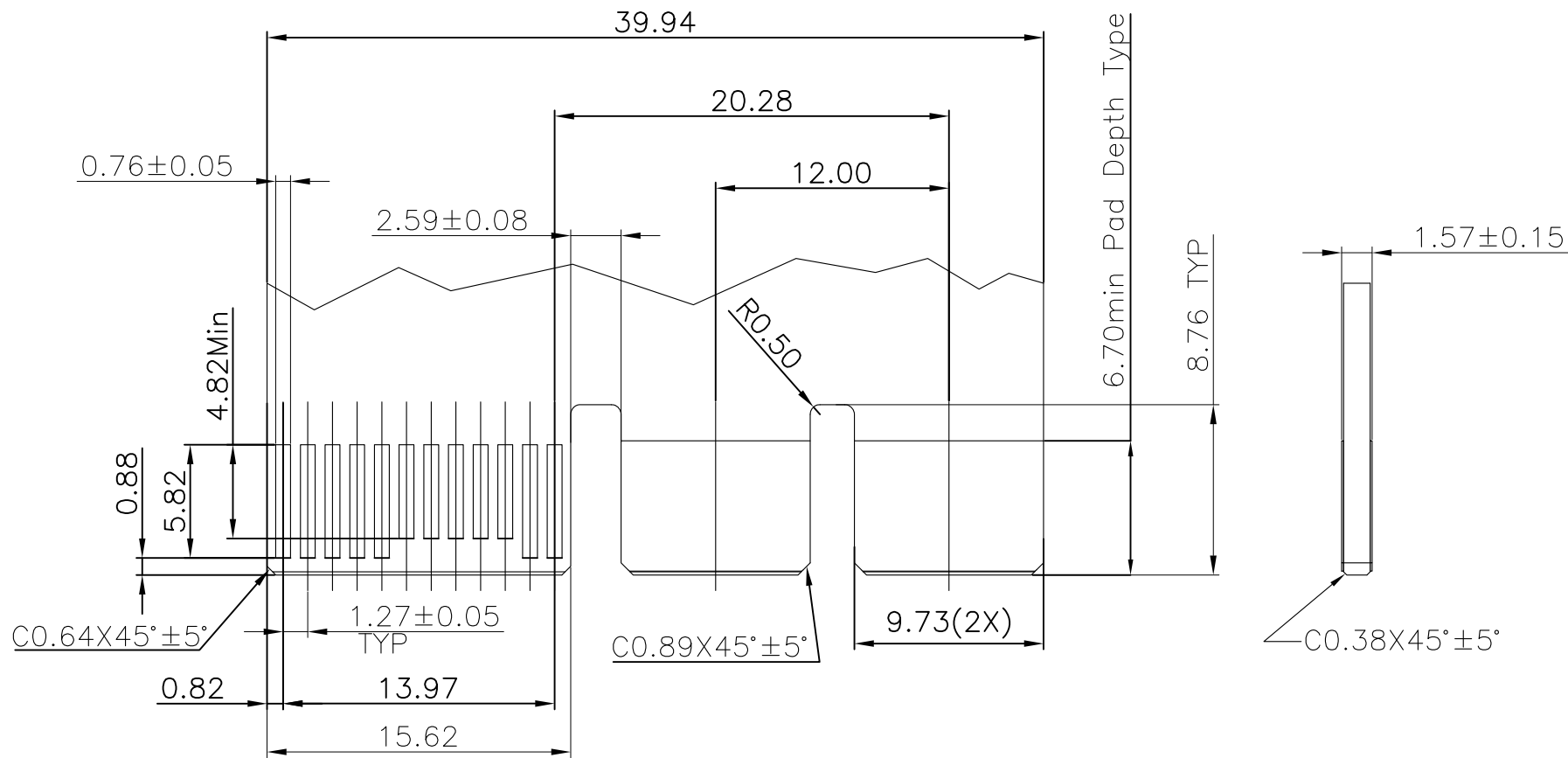


P.C. Board Layout  
(Tolerance:±0.05)

Tolerances	Dwg. No.	9392-D0000-007		Title:
x = ±0.5	Projection			9392 Series Low Profile Hybrid Power Receptacle
.x = ±0.25	Unit	mm	Scale 1:1	
.xx = ±0.15	Drawn By	JCQ 06/27'23		

<b>OUPIN</b>			
OUPIN ELECTRONIC(KUNSHAN) CO., LTD.			
P/N:9392-4SS24P04P1xCxxDx			
SHEET	1/2	Ver. No.	R10

REV.	SPECIFICATION	ECN NO.	APPD.
R10		ECN230636	



**Recommended Edge Card Layout**  
(Tolerance: ±0.05)

Tolerances	Dwg. No.	9392-D0000-007		Title:	
x = ±0.5	Projection			9392 Series Low Profile Hybrid Power Receptacle	
.x = ±0.25	Unit	mm	Scale		1:1
.xx = ±0.15	Drawn By	JCQ	06/27'23		

<b>OUPIIN ELECTRONIC(KUNSHAN) CO., LTD.</b>			
P/N: 9392-4SS24P04P1xCxxDx			
SHEET	2/2	Ver. No.	R10