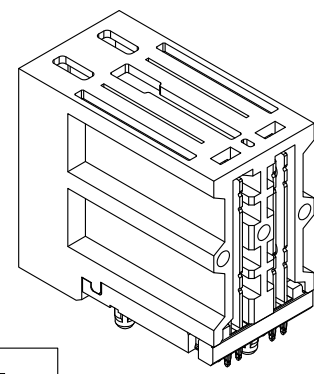
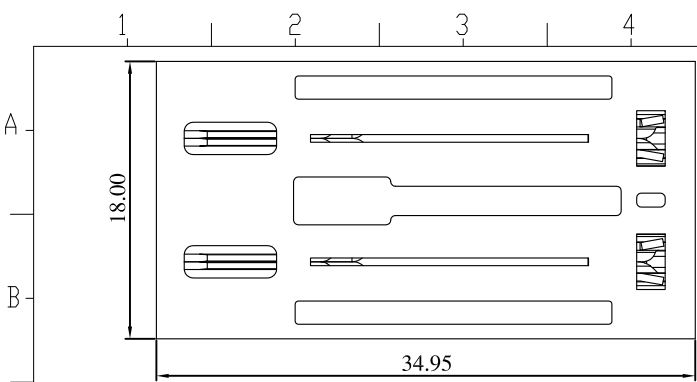


REV.	SPECIFICATION	ECN NO.	APPD.
R2		ECN160408	



Material:
Housing: High Temperature Plastic UL94V-0.
Contacts: Copper Alloy.

Electrical Characteristics:
Current Rating: Power: 35 AMP (2oz*2)
45 AMP (2oz*4)
Signal: 1AMP

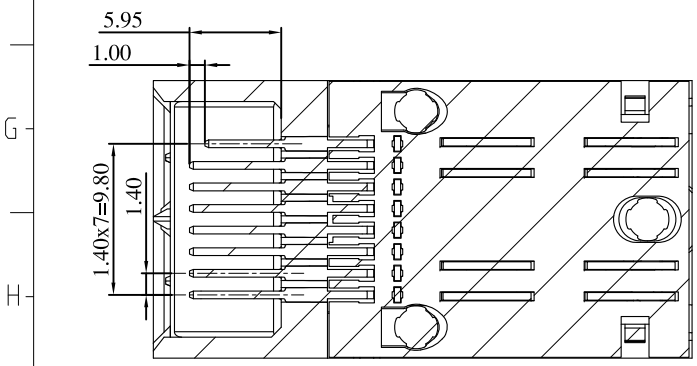
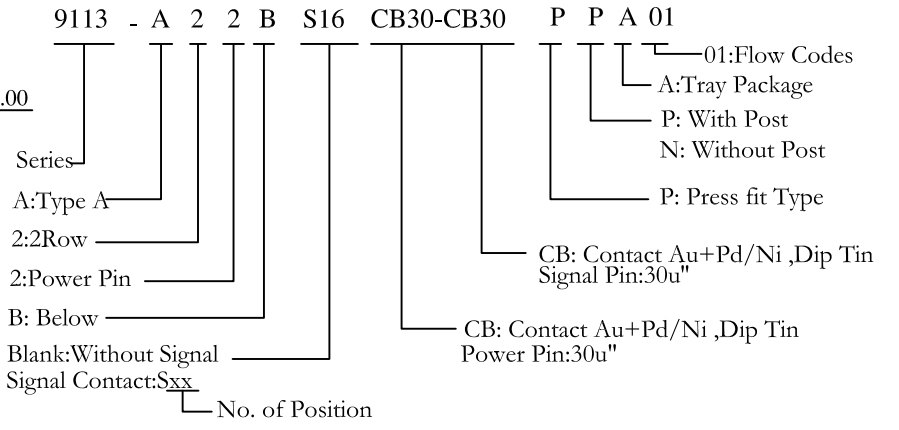
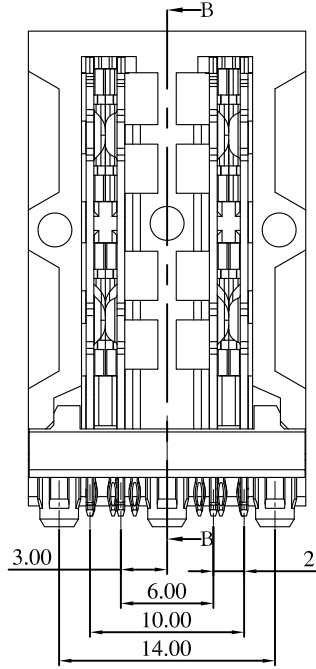
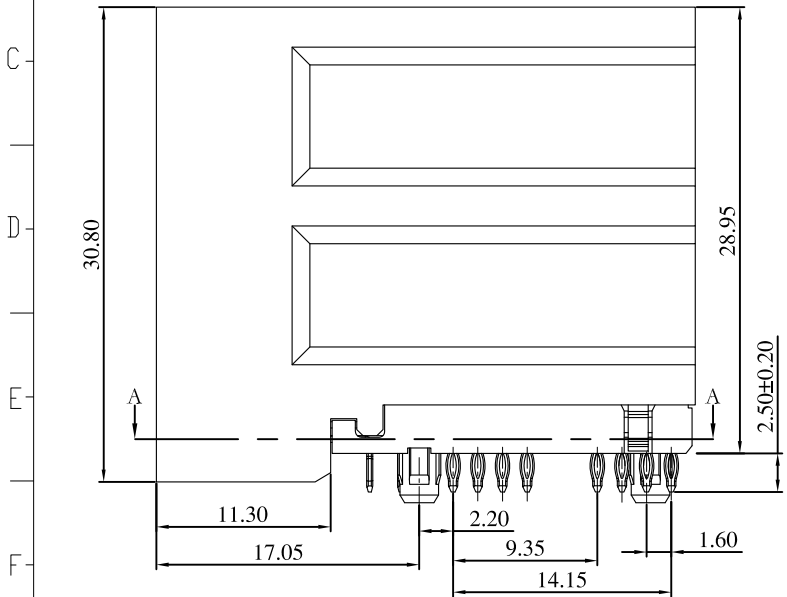
Dielectric Withstanding Voltage:
Power: AC 1500V For 1 minute
Signal: AC 750V For 1 minute

Insulator Resistance: Power: 1500MΩ min. at DC 500V.
Signal: 1000MΩ min. at DC 500V

Contact Resistance: Power: 0.5mΩ max.
Signal: 30mΩ max.

Operating Temperature: -55°C ~ +125°C.

***RoHS Compliant**



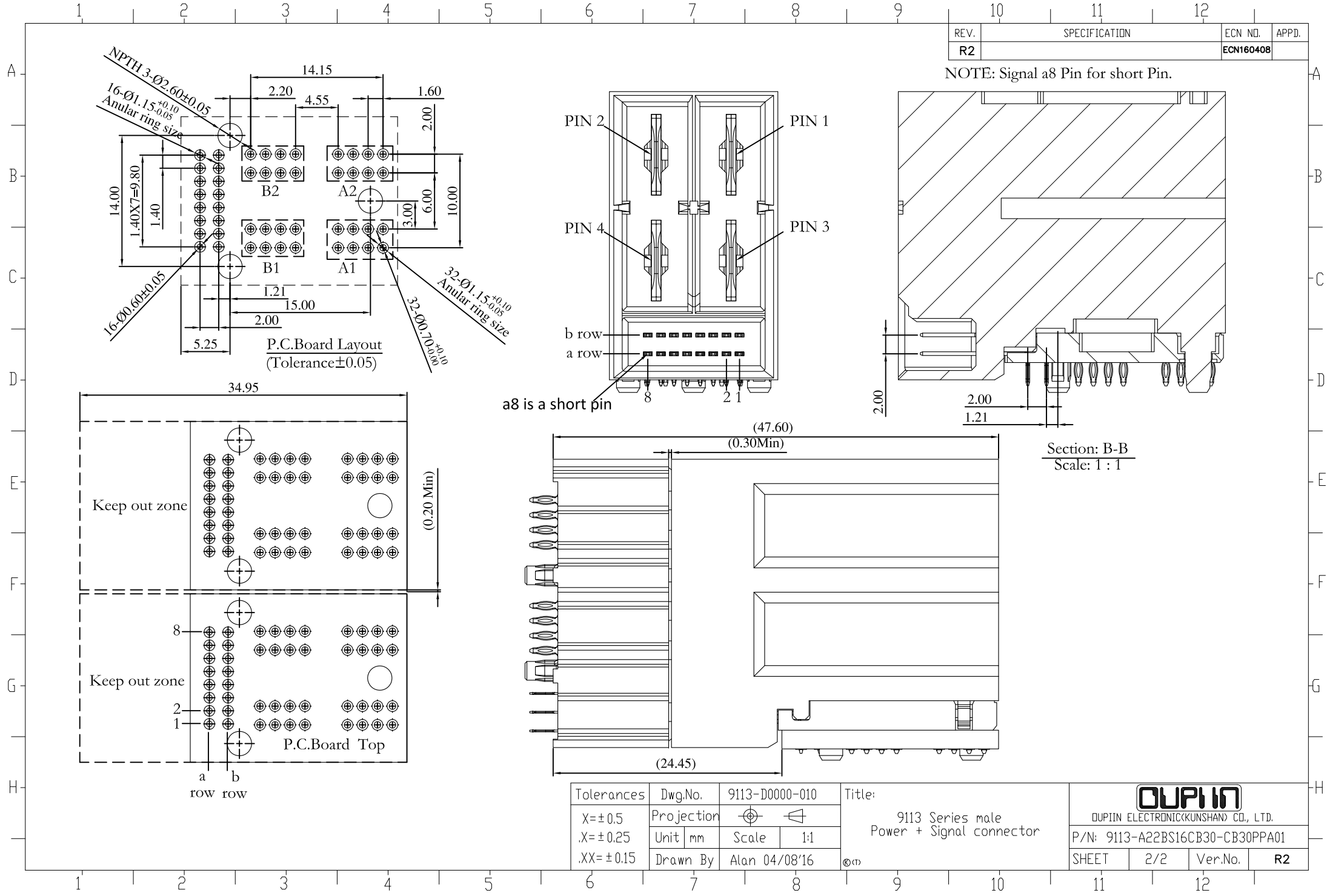
Section: A-A
Scale: 1:1

Tolerances	Dwg.No.	9113-D0000-010	Title:
X=±0.5	Projection		9113 Series Male Power + Signal connector
.X=±0.25	Unit	mm	
.XX=±0.15	Scale	1:1	
	Drawn By	Alan 04/08'16	

DUPIIN			
DUPIIN ELECTRONICKUNSHAN CO., LTD.			
P/N: 9113-A22BS16CB30-CB30PPA01			
SHEET	1/2	Ver.No.	R2

REV.	SPECIFICATION	ECN NO.	APPD.
R2		ECN160408	

NOTE: Signal a8 Pin for short Pin.



Section: B-B
Scale: 1 : 1

Tolerances	Dwg.No.	9113-D0000-010
X=±0.5	Projection	
.X=±0.25	Unit	mm
.XX=±0.15	Scale	1:1
	Drawn By	Alan 04/08'16

Title:
9113 Series male
Power + Signal connector

DUPIIN			
DUPIIN ELECTRONIC(KUNSHAN) CO., LTD.			
P/N: 9113-A22BS16CB30-CB30PPA01			
SHEET	2/2	Ver.No.	R2