

REV.	SPECIFICATION	ECN NO.	APPD.
R7		ECN230636	

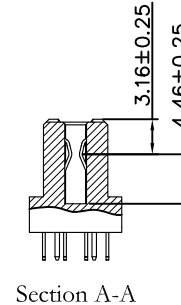
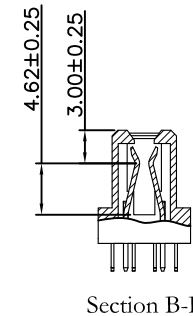
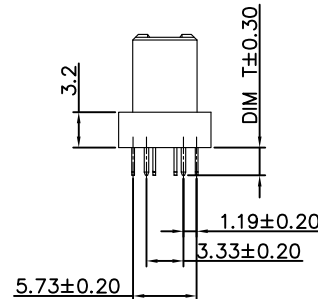
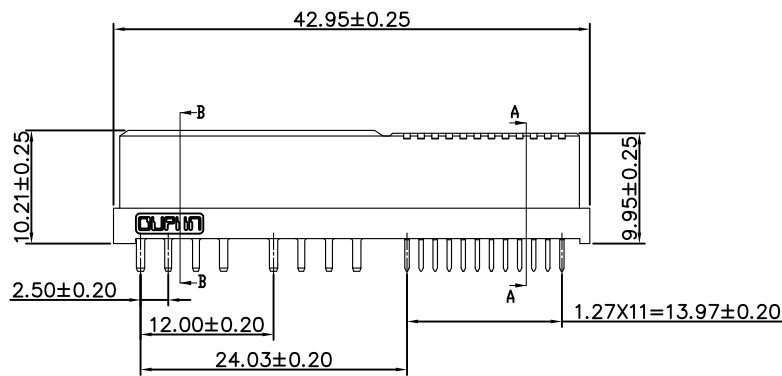
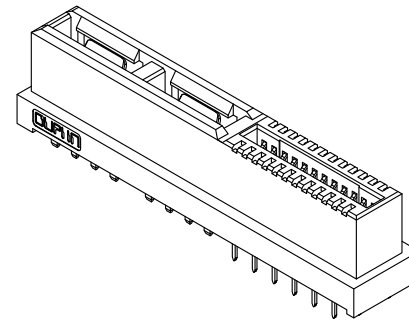
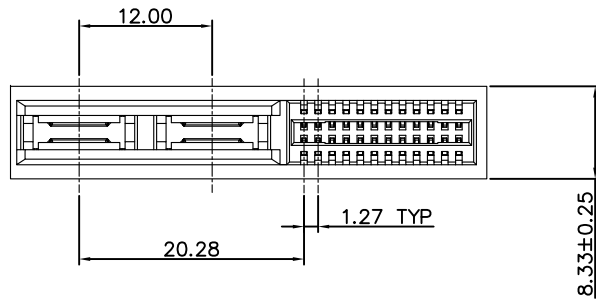
Material and Plating:

Housing: LCP, UL94V-0 , Black.
 Power Contacts: High Conductivity Copper.
 30u"Au+Pd/Ni on Contact Area and 80u" Min Tin Plated on Solder Tail over nickel 50u" Min .
 Signal Contacts : Phosphor Bronze.
 30u"Au+Pd/Ni on Contact Area and 80u" Min Tin Plated on Solder Tail over nickel 50u" Min .

Electrical Characteristics:

Current Rating: Signal Pin 1.0 AMP.
 Power Pin 45 AMP(UL).
 Insulator Resistance: 5000MΩ min. at DC 500V.
 Dielectric Withstanding Voltage:
 Signal Pin DC 1500V For 1 minute.
 Power Pin DC 1500V For 1 minute.
 Contact Resistance: Signal Pin 20mΩ max.
 Power Pin 5.0mΩ max.
 Operating Temperature: -40°C ~+105°C .

***RoHS Compliant**



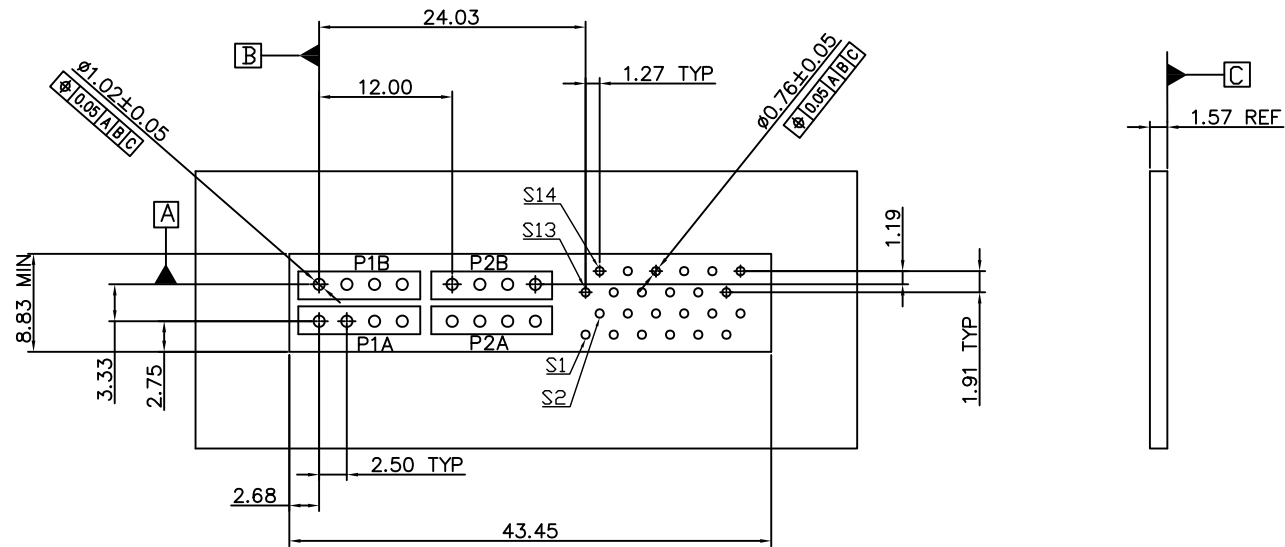
- Series — 9392-A
- 2:Female Straight
- P04:Power Contact
- S24:Signal Pin
- N:W/O Post
- P:With Post
- 1: Without Guides
- 1 1 CB 30 D A
- A:Tray Package
- D:Dip Type
- 30: 30 u"
- CB: Dip Tin Plated Contact Au+Pd/Ni Plated
- 1: Dim T=2.50mm
- 2: Dim T=2.90mm
- 3: Dim T=3.60mm
- 4: Dim T=4.50mm

TYPE NO.	1	2	3	4
DIM T	2.50	2.90	3.60	4.50

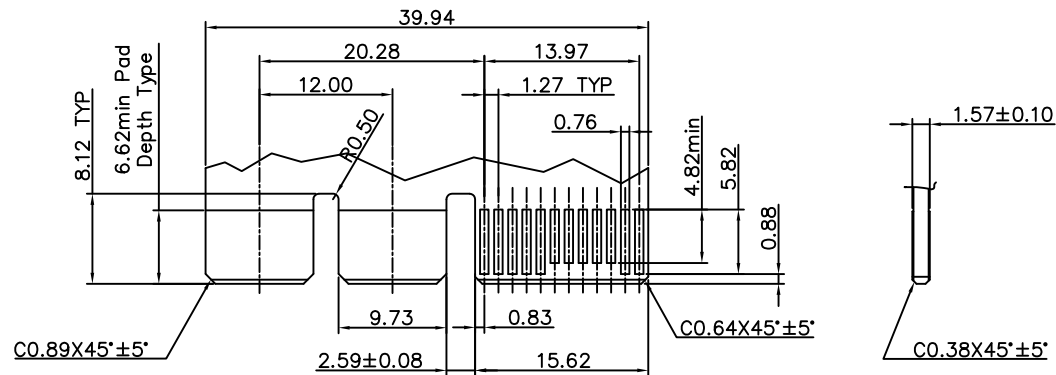
Tolerances	Dwg. No.	9392-D0000-017	Title:
x = ±0.5	Projection		9392 Series Low Profile Hybrid Power Receptacle
.x = ±0.25	Unit	mm	
.xx = ±0.15	Scale	1:1	
	Drawn By	JCQ 06/27'23	

OUPIIN ELECTRONIC(KUNSHAN) CO., LTD.			
P/N:9392-A2P04S24N11CB30DA			
SHEET	1/2	Ver. No.	R7

REV.	SPECIFICATION	ECN NO.	APPD.
R7		ECN230636	



P.C.Board Layout
(Tolerance: ± 0.05)



Recommended Edge Card Layout
(Tolerance: ± 0.05)

Tolerances	Dwg. No.	9392-D0000-017		Title:	
x = ± 0.5	Projection			9392 Series	
.x = ± 0.25	Unit	mm	Scale	1:1	Low Profile Hybrid
.xx = ± 0.15	Drawn By	JCQ	06/27'23		Power Receptacle

9392 Series
Low Profile Hybrid
Power Receptacle



OUPIN ELECTRONIC(KUNSHAN) CO., LTD.

P/N: 9392-A2P04S24N11CB30DA

SHEET	2/2	Ver. No.	R7
-------	-----	----------	----