

REV.	SPECIFICATION	ECN NO.	APPD.
R4		ECN230636	

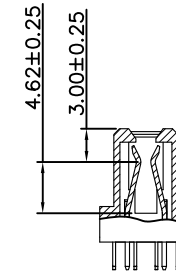
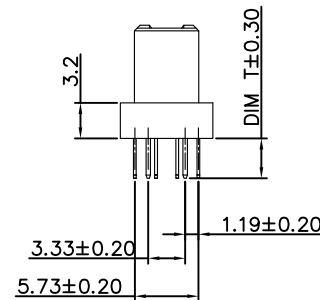
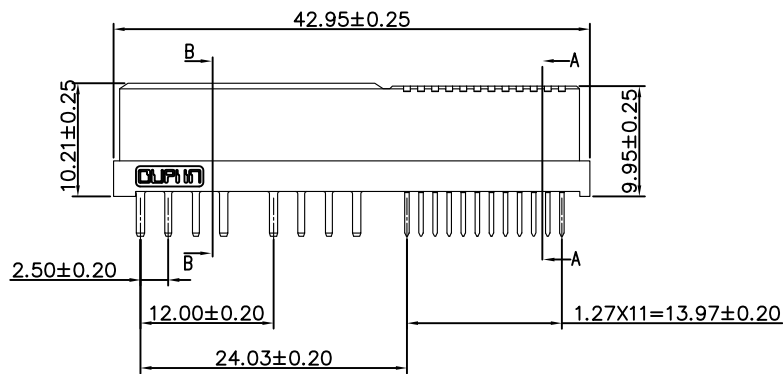
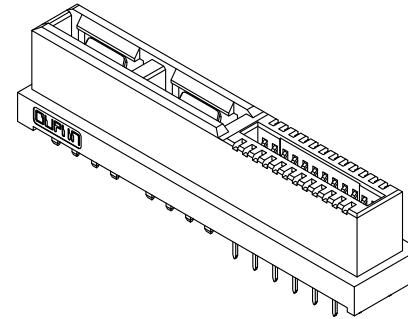
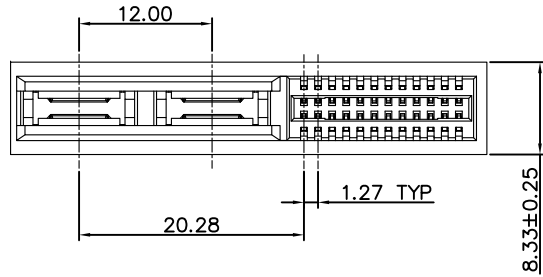
**Material and Plating:**

**Housing:** LCP, UL94V-0, Black.  
**Power Contacts:** High Conductivity Copper.  
 30u" Au+Pd/Ni on Contact Area and 80u" Min Tin Plated on Solder Tail over 50u" Min Nickel.  
**Signal Contacts :** Phosphor Bronze.  
 30u" Au+Pd/Ni on Contact Area and 80u" Min Tin Plated on Solder Tail over 50u" Min Nickel.

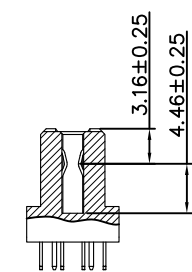
**Electrical Characteristics:**

**Current Rating:** Signal Pin 1.0 AMP.  
 Power Pin 45 AMP(UL).  
**Insulator Resistance:** 5000MΩ min. at DC 500V.  
**Dielectric Withstanding Voltage:**  
 Signal Pin DC 1500V For 1 minute.  
 Power Pin DC 1500V For 1 minute.  
**Contact Resistance:** Signal Pin 20mΩ max.  
 Power Pin 5.0mΩ max.  
**Operating Temperature:** -40°C ~+105°C .

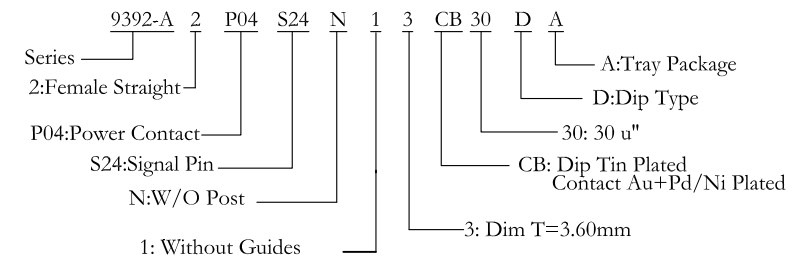
**\*RoHS Compliant**



Section B-B



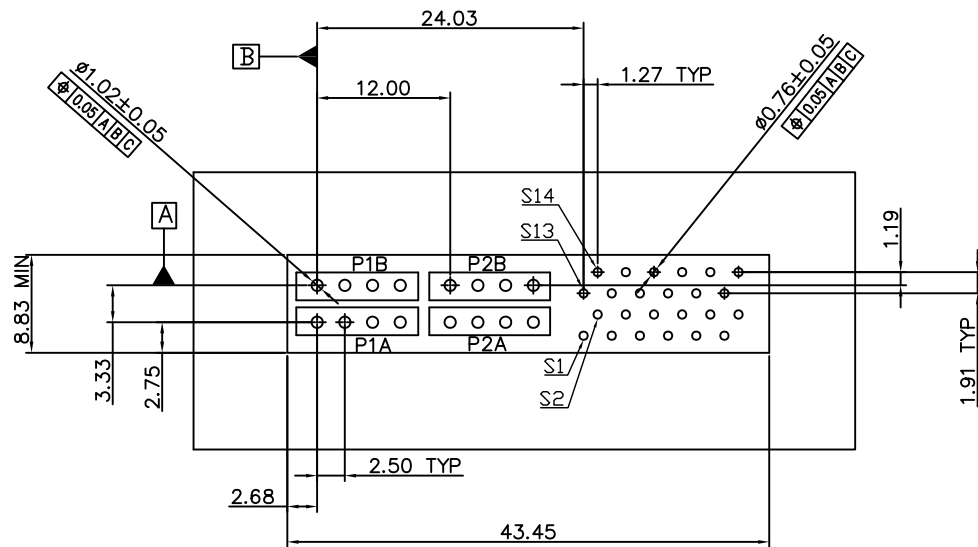
Section A-A



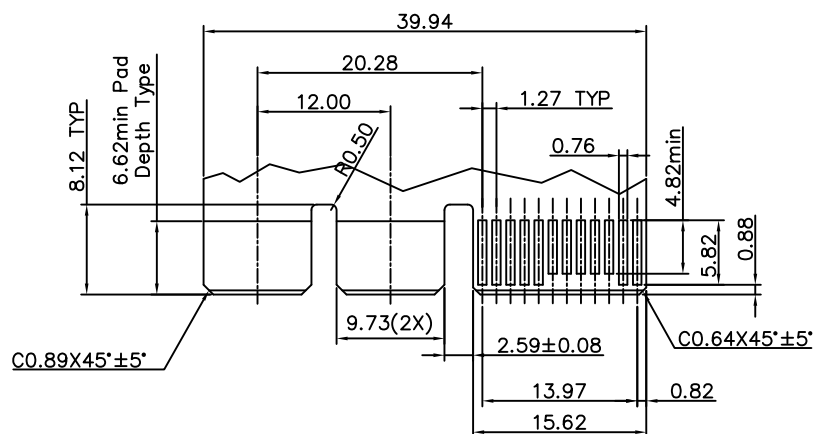
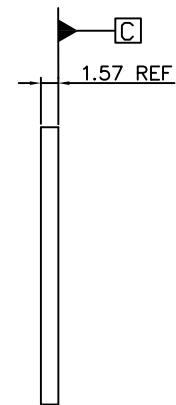
Tolerances	Dwg. No.	9392-D0000-063		Title:	
x = ±0.5	Projection			9392 Series Low Profile Hybrid Power Receptacle	
.x = ±0.25	Unit	mm	Scale		1:1
.xx = ±0.15	Drawn By	JCQ 06/27'23			

OUPIN ELECTRONIC(KUNSHAN) CO., LTD.			
P/N:9392-A2P04S24N13CB30DA			
SHEET	1/2	Ver. No.	R4

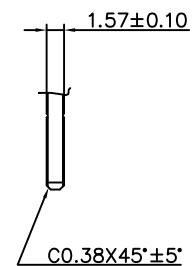
REV.	SPECIFICATION	ECN NO.	APPD.
R4		ECN230636	



P.C. Board Layout  
(Tolerance:  $\pm 0.05$ )



Recommended Edge Card Layout  
(Tolerance:  $\pm 0.05$ )



Tolerances	Dwg. No.	9392-D0000-063		Title:	
x = $\pm 0.5$	Projection			9392 Series	
.x = $\pm 0.25$	Unit	mm	Scale	1:1	Low Profile Hybrid
.xx = $\pm 0.15$	Drawn By	JCQ 06/27'23			Power Receptacle

9392 Series  
Low Profile Hybrid  
Power Receptacle



OUPIN ELECTRONIC(KUNSHAN) CO., LTD.

P/N: 9392-A2P04S24N13CB30DA

SHEET	2/2	Ver. No.	R4
-------	-----	----------	----