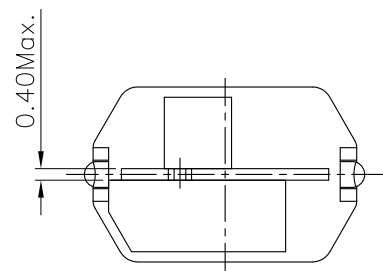
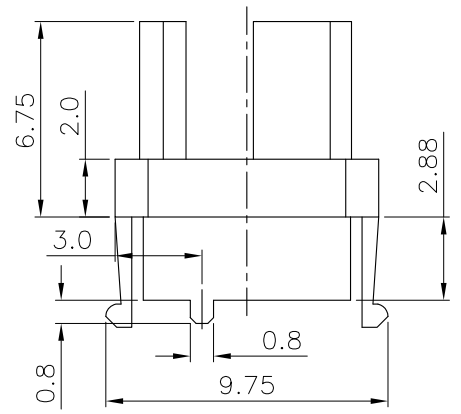
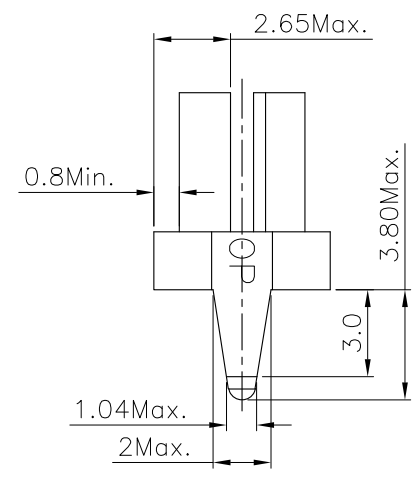
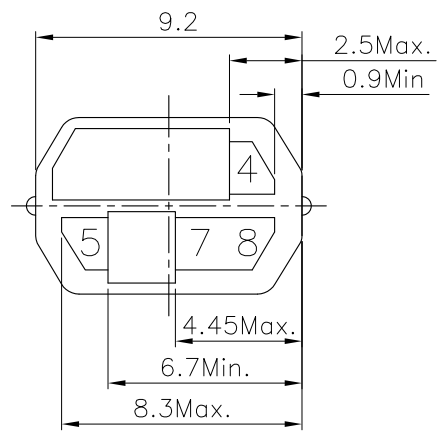

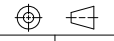


REV.	SPECIFICATION	ECN NO.	APPD.
R1			

Material:
Housing: 30% Glass Filled PBT UL94V-0.
Electrical Characteristics:
Operating Temperature: -55°C ~ +105°C .
***RoHS Compliant**



9111- F K 4578 B
Series ——— Female ——— Coding Key ——— Bulk Package ——— Key Position Type ———

Tolerances	Drawn No.	9111D02010	Title:		 OUPIIN ELECTRONIC(KUNSHAN) CO., LTD. P/N: 9111-FK4578B SHEET 1/1 Ver.No. R1
x = ±0.5	Projection		9111 Series		
.x = ±0.25	Unit	mm	Scale	1:1	
.xx = ±0.15	Drawn By	Liling 01/12'08	Female Coding Key		