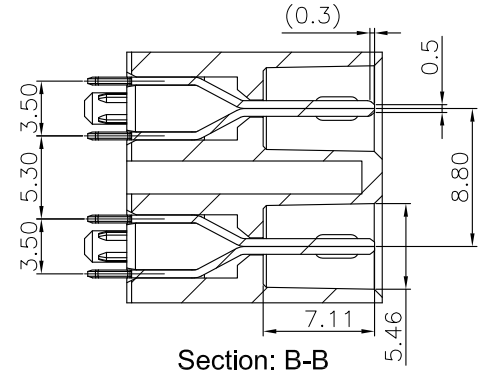
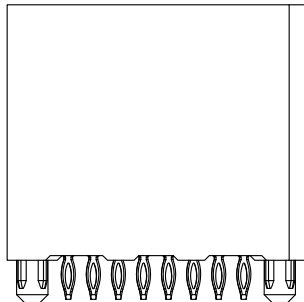
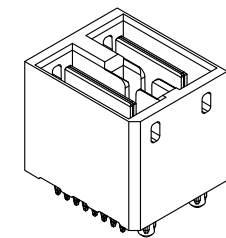


REV.	SPECIFICATION	ECN NO.	APPD.
R1		ECN171138	



Section: B-B

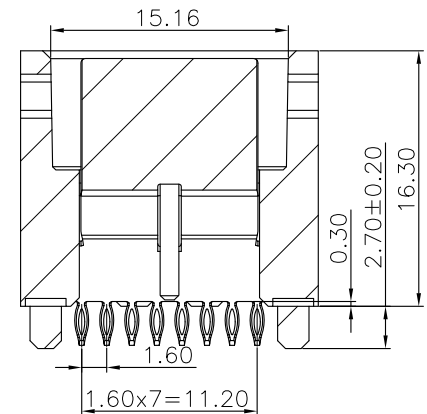
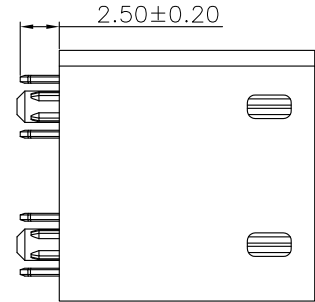
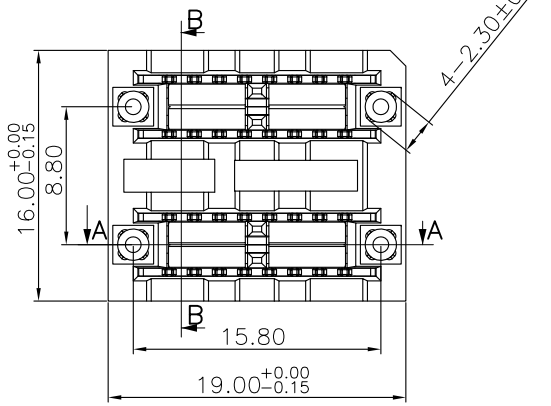


Material and Plating:
Housing: LCP, UL94V-0, BLACK .
Power Contacts: High conductivity copper.
30u" Au+Pd/Ni on Contact Area and 80u" Min Tin Plated on Solder Tail over Nickel 50u" Min .

Electrical Characteristics:
Current Rating: Power: 75AMP.
Dielectric Withstanding Voltage: Power: AC 1500V For 1 minute.

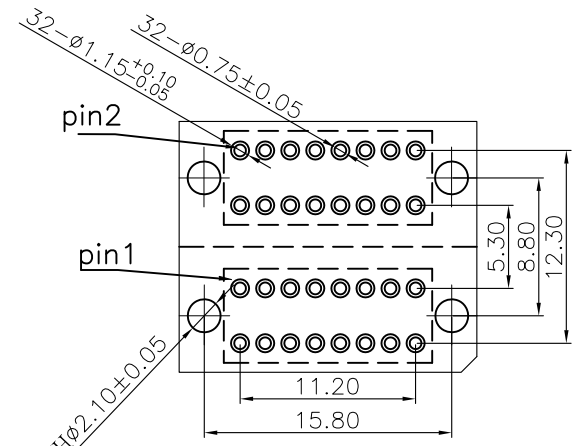
Insulator Resistance: Power: 1500MΩ min. at DC 500V.
Contact Resistance: Power: 0.7mΩ max. 0.3mΩ min

Operating Temperature: -55°C ~ +105°C .
***RoHS Compliant**



Section: A-A

Series **9113 - E 1 2 B CB30 P P S A**
A: Tray Package
E: Type E
1: 1 Row
2: Power Pin
B: Height=16.30mm
CB30: Contact Au+Pd/Ni, Dip Tin
P: With Post
N: Without Post
P: Press fit Type
S: Straight



P.C. Board Layout (Press Fit Type)
(Tolerance: ±0.05)

Tolerances	Dwg. No.	9113-D0000-031		Title:	
.x=±0.5	Projection	⊕ ⊖		9113 Series POWER CONNECTOR	
.xx=±0.25	Unit	mm	Scale		1:1
.xxx=±0.15	Drawn By	MXM 12/19'17			

OUPIN			
OUPIN ELECTRONIC(KUNSHAN) CO., LTD.			
P/N: 9113-E12BCB30PPSA			
SHEET	1/1	Ver.No.	R1