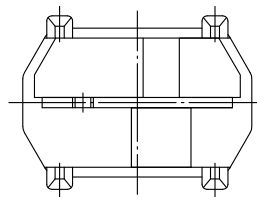
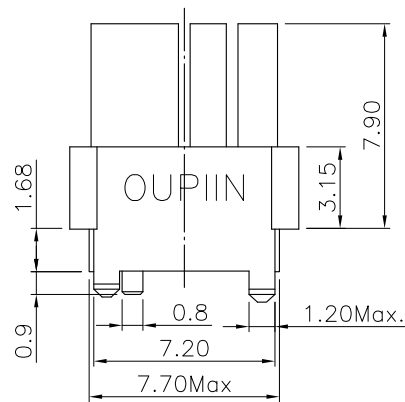
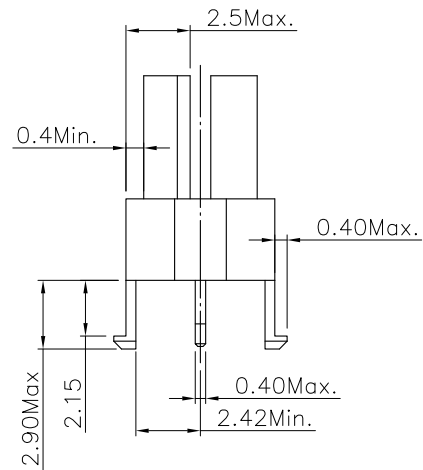
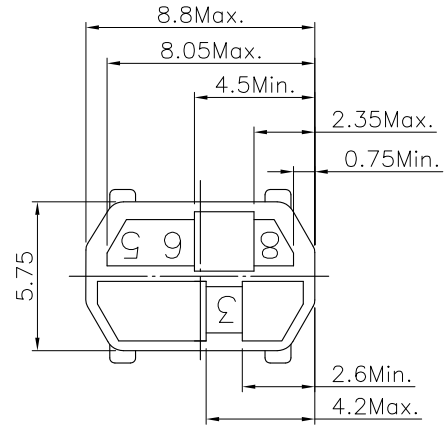


REV.	SPECIFICATION	ECN NO.	APPD.
R1			



Material:
Housing: 30% Glass Filled PBT UL94V-0.

Electrical Characteristics:
Operating Temperature: -55°C ~ +105°C .
***RoHS Compliant**

9111- M K 3568 B

Series — Male — Coding Key — Bulk Package — Key Position Type

Tolerances	Drawn No.	9111D01012		Title:	
x = ±0.5	Projection	⊕ ⊖		9111 Series	
.x = ±0.25	Unit	mm	Scale	Male Coding Key	
.xx = ±0.15	Drawn By	Liling 01/21'08		SHEET	

OUPIN			
OUPIN ELECTRONIC(KUNSHAN) CO., LTD.			
P/N: 9111-MK3568B			
SHEET	1/1	Ver.No.	R1