

REV.	SPECIFICATION	ECN NO.	APPD.
R3		ECN190140	

Material and Plating:

Housing:LCP, UL94V-0 , Black.

Cover:LCP, UL94V-0 , Black.

Power Contacts: High Conductivity Copper.
30u"Au+Pd/Ni on Contact Area and 80u" Min Matte Tin
Plated on Solder Tail over nickel 50u" Min .

Signal Contact: Copper Alloy.
30u"Au+Pd/Ni on Contact Area and 80u" Min Matte Tin
Plated on Solder Tail over nickel 50u" Min .

Electrical Characteristics:

Current Rating: Power:20AMP;

Signal:1AMP.

Dielectric Withstanding Voltage:

Power:AC 1500V For 1 minute.

Signal:AC 750V For 1 minute

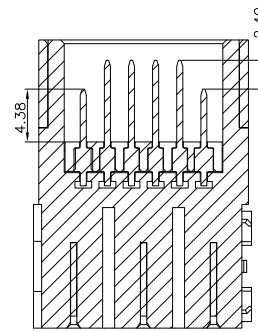
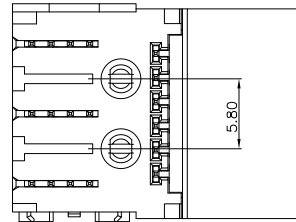
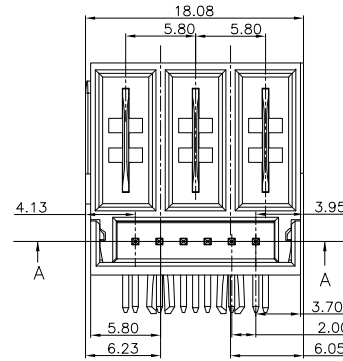
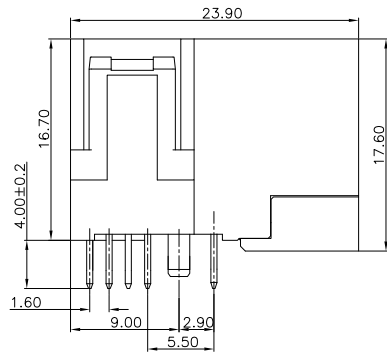
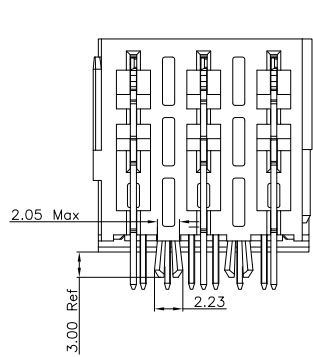
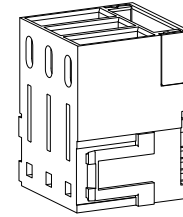
Insulator Resistance: Power:1500MΩ min. at DC 500V.
Signal:1000MΩ min. at DC 500V.

Contact Resistance: Power: 1mΩ max.

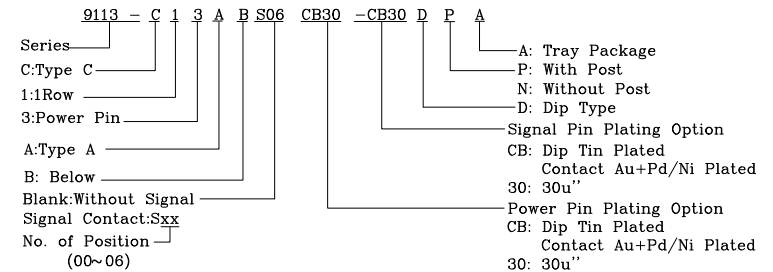
Signal: 30mΩ max.

Operating Temperature: -25°C ~+105°C .

***RoHS Compliant**



SECTION: A-A
SCALE:1:1

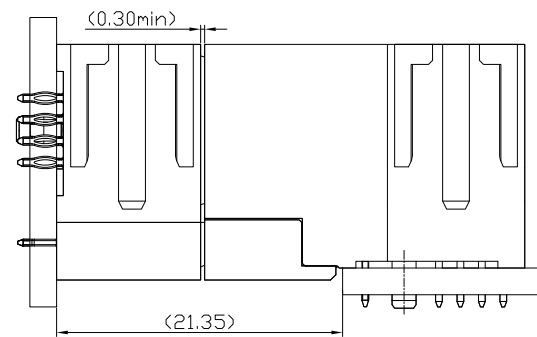
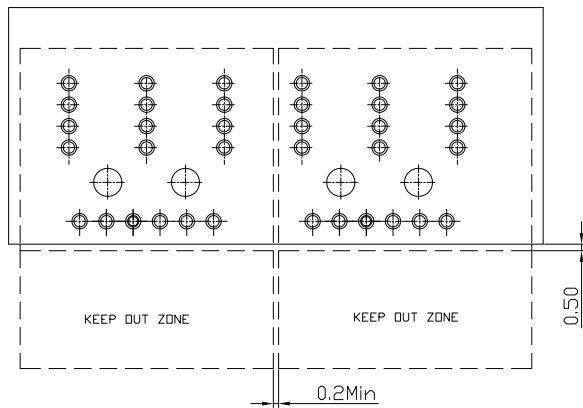
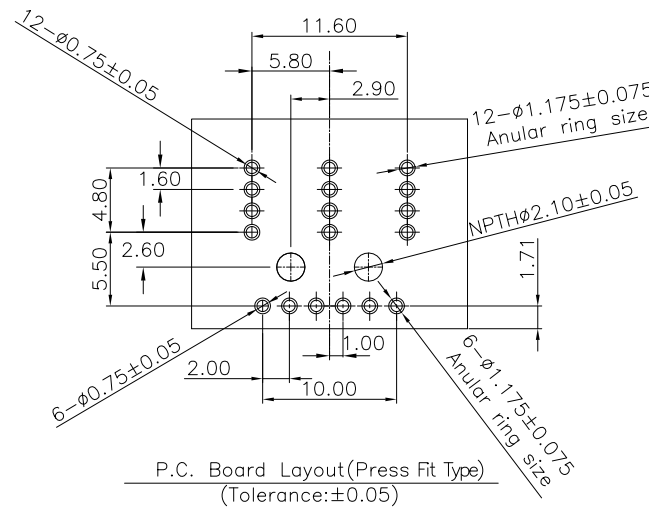
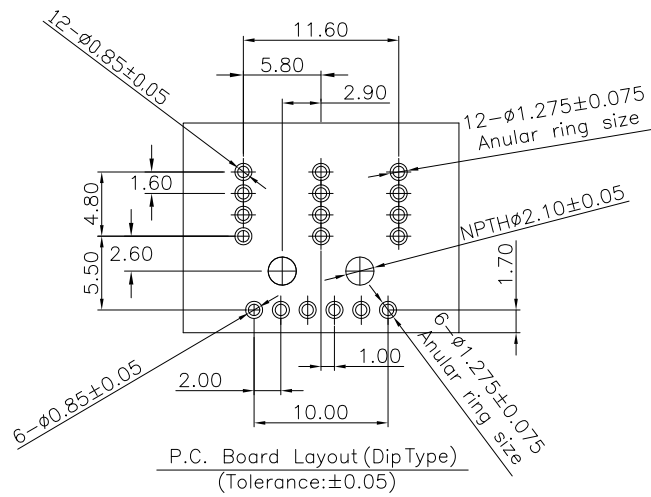


Tolerances	Dwg. No.	9113-D0000-011
.x=±0.5	Projection	
.xx=±0.25	Unit	mm
.xxx=±0.15	Scale	1:1
	Drawn By	dyq 01/21'19

Title: 9113 Series
HVDC POWER
EDGE CONNECTOR

OUPIN			
OUPIN ELECTRONIC(KUNSHAN) CO., LTD.			
P/N: 9113-C13ABS06CB30-CB30DPA			
SHEET	1/2	Ver.No.	R3

REV.	SPECIFICATION	ECN NO.	APPD.
R3		ECN190140	



Tolerances	Dwg. No.	9113-D0000-011	Title:		OUPIN OUPIIN ELECTRONIC(KUNSHAN) CO., LTD. P/N: 9113-C13ABS06CB30-CB30DPA			
.x=±0.5	Projection		9113 Series					
.xx=±0.25	Unit	mm	Scale	1:1	HVDC POWER			
.xxx=±0.15	Drawn By	dyq 01/21'19			EDGE CONNECTOR			
					SHEET	2/2	Ver.No.	R3