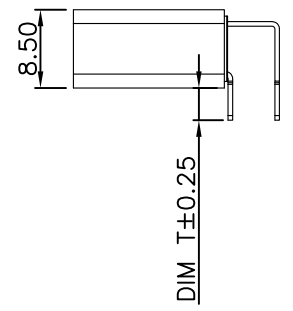
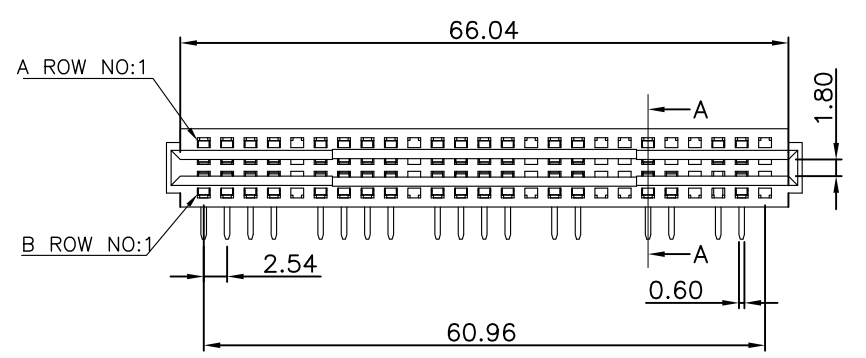


REV.	SPECIFICATION	ECN NO.	APPD.
R2		ECN220863	

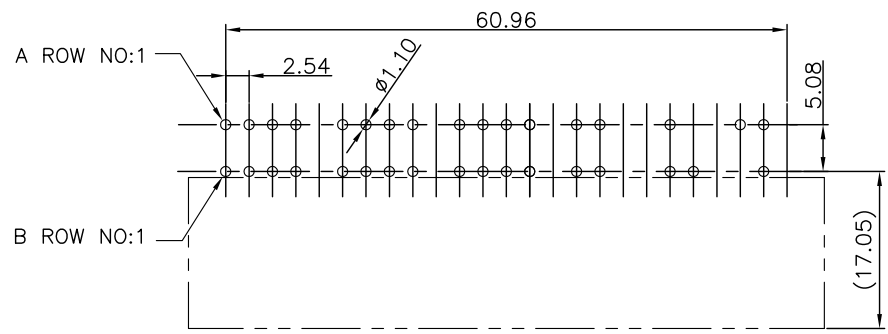
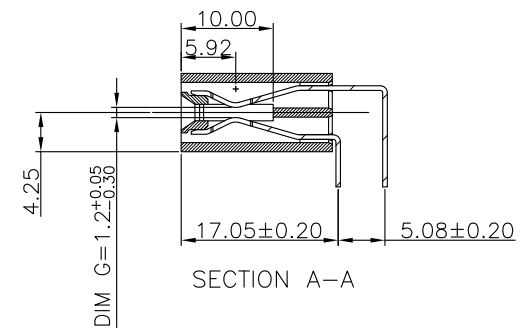
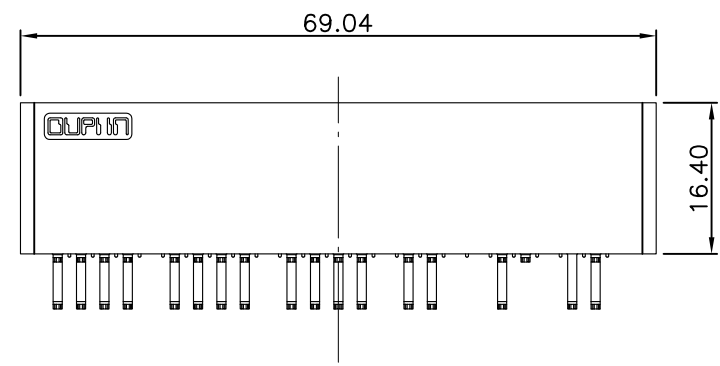


Material and Plating:
Housing: LCP, UL94V-0, BLACK.
Power Contacts: High Conductivity Copper.
30u" Au+Pd/Ni on Contact Area and 80u" Min Matte Tin Plated on Solder Tail over Nickel 50u" Min under plated.

Electrical Characteristics:
Current Rating: 12.5 A(UL).
Dielectric Withstanding Voltage: DC 1000V For 1 minute.
Insulation Resistance: 5000MΩ min. at DC 500V.
Contact Resistance: 10mΩ max. at DC 100mA.
Operating Temperature: -5°C ~ +105°C.

***RoHS Compliant**

Note1:
A Row P5,P10,P15,P18,P19,P21,P22,P25 Without Contact.
B Row P5,P10,P15,P18,P19,P22,P23,P25 Without Contact.



P.C. Board Layout
(Tolerance: ±0.05) (Top View)

9393-F 4 P50 N 1 A CB30 D A -A003

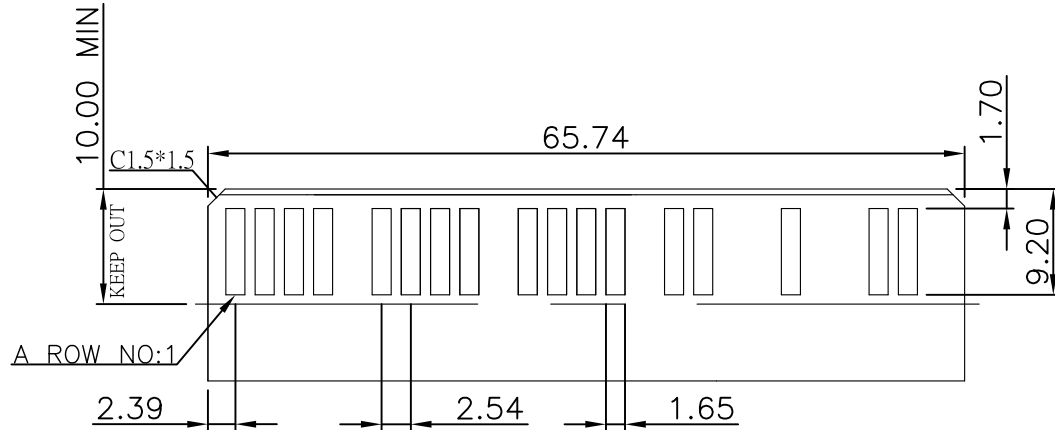
Series: 9393-F
4: Female Right Angle
Position: P50
N: N/W/O Post
P: With Post
1: DIM T=3.5mm
2: DIM T=2.6mm
1: DIM G(GAP)=1.2mm

Internal Code: A
A: Tray Package
D: Dip Type
P: Press-Fit Type
CB30: Contact Au+Pd /Ni, Dip Tin 30u"
A: Power pitch 2.54
B: Power pitch 5.08

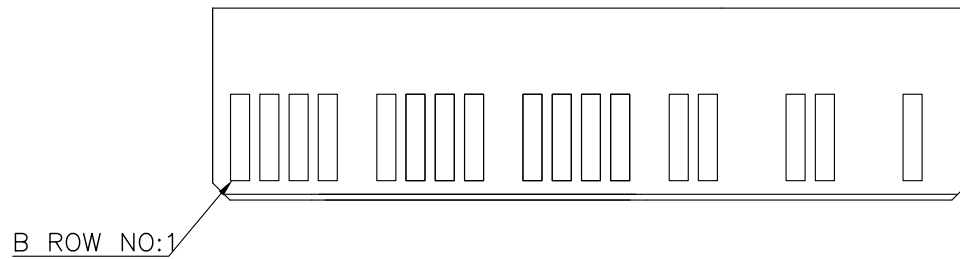
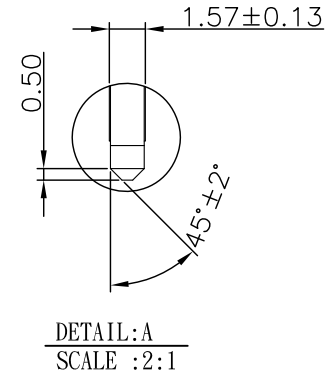
Tolerances	Dwg. No.	9393-D0000-047	Title:	
x = ±0.5	Projection		9393-F Series	
.x = ±0.25	Unit	mm	Scale	1:1
.xx = ±0.15	Drawn By	GYJ 08/02'22	Power Edge Connector	

OUPIN ELECTRONIC(KUNSHAN) CO., LTD.			
P/N: 9393-F4P50N11ACB30DA-A003			
SHEET	1/2	Ver.No.	R2

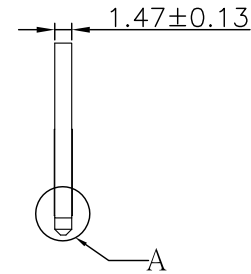
REV.	SPECIFICATION	ECN NO.	APPD.
R2		ECN220863	



RECOMMENDED MATTING BOARD FOOTPRINT A ROW SIDE
(Tolerance:±0.05)



RECOMMENDED MATTING BOARD FOOTPRINT B ROW SIDE
(Tolerance:±0.05)



Tolerances	Dwg. No.	9393-D0000-047	Title:	
x = ±0.5	Projection		9393-F Series	
.x = ±0.25	Unit	mm	Scale	1:1
.xx = ±0.15	Drawn By	GYJ 08/02'22	Power Edge Connector	

OUPIIN ELECTRONIC(KUNSHAN) CO., LTD.			
P/N: 9393-F4P50N11ACB30DA-A003			
SHEET	2/2	Ver.No.	R2

SHEET	2/2	Ver.No.	R2
-------	-----	---------	----