

|      |               |           |       |
|------|---------------|-----------|-------|
| REV. | SPECIFICATION | ECN NO.   | APPD. |
| R3   |               | ECN220863 |       |

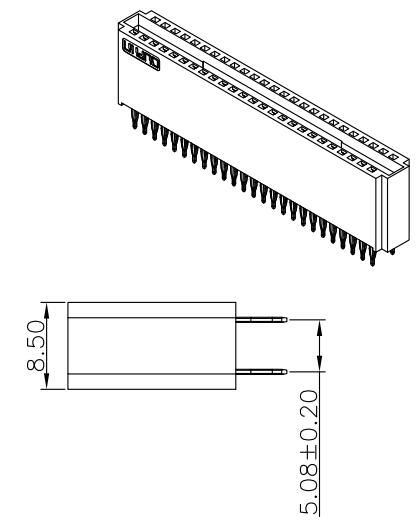
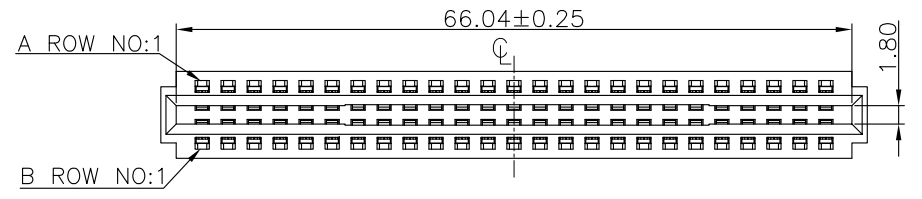
**Material and Plating:**

Housing: LCP, UL94V-0, BLACK.  
 Power Contacts: High Conductivity Copper .  
 30u" Au+Pd/Ni on Contact Area and 80u" Min Tin Plated on Solder Tail over nickel 50u" Min under plated .

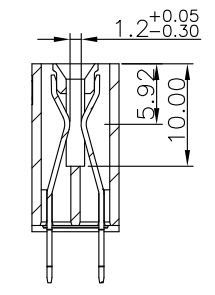
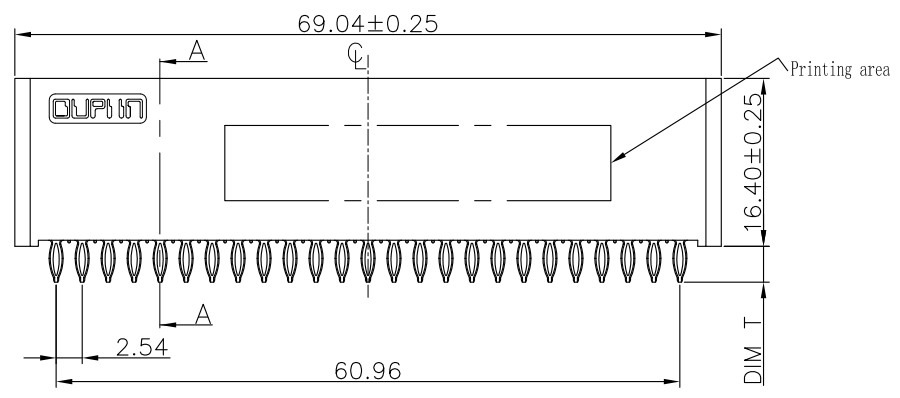
**Electrical Characteristics:**

Current Rating: 12.5 A(UL).  
 Dielectric Withstanding Voltage: DC 1000V For 1 minute.  
 Insulator Resistance: 5000MΩ min. at DC 500V.  
 Contact Resistance: 2.5mΩ max. at DC 100mA.  
 Operating Temperature: -5°C ~+105°C .

**\*RoHS Compliant**



**9393-F2P50Nx1ACB30PA**



SECTION A-A

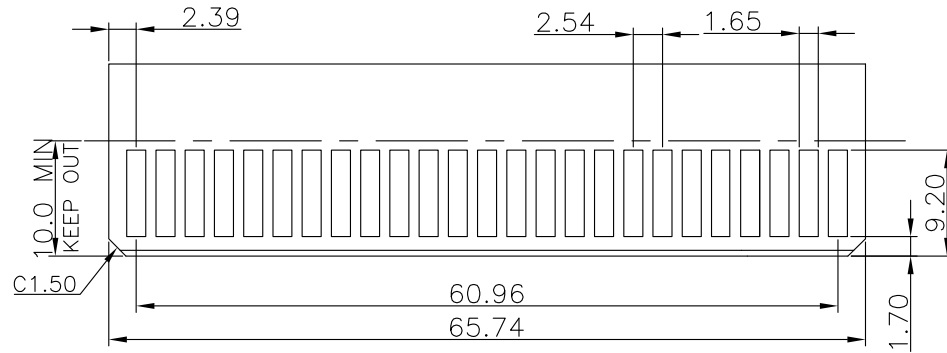
- 9393-F 2 P50 N 1 A CB30 P A
- Series: 9393-F 2
- Position: P50
- N: W/O Post
- P: With Post
- 1: DIM T=3.5mm
- 2: DIM T=2.8mm
- 3: DIM T=5.0mm
- A: Tray Package
- P: Press-Fit Type
- CB30: Contact Au+Pd/Ni, Dip Tin
- 30: 30u"
- A: Power pitch 2.54
- B: Power pitch 5.08
- 1: DIM G(GAP)=1.2mm

|             |            |                |
|-------------|------------|----------------|
| Tolerances  | Dwg. No.   | 9393-D0000-043 |
| x = ±0.5    | Projection |                |
| .x = ±0.25  | Unit       | mm             |
| .xx = ±0.15 | Scale      | 1:1            |
|             | Drawn By   | GYJ 08/02'22   |

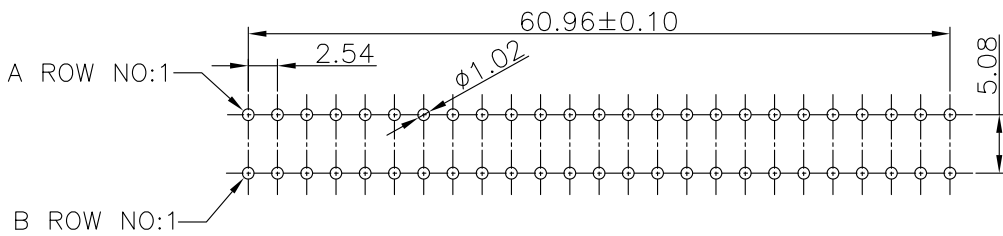
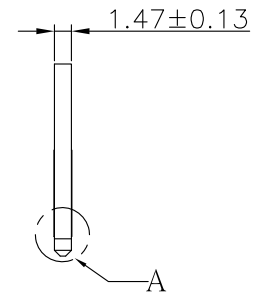
Title: 9393-F Series  
 Power Edge Connector

|                                      |     |          |    |
|--------------------------------------|-----|----------|----|
|                                      |     |          |    |
| OUPIIN ELECTRONIC(KUNSHAN) CO., LTD. |     |          |    |
| P/N: 9393-F2P50Nx1ACB30PA            |     |          |    |
| SHEET                                | 1/2 | Ver. No. | R3 |

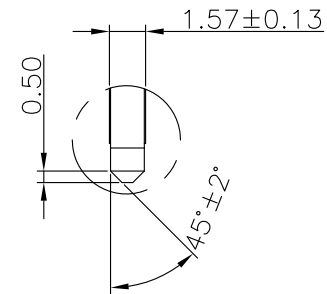
|      |               |           |       |
|------|---------------|-----------|-------|
| REV. | SPECIFICATION | ECN NO.   | APPD. |
| R3   |               | ECN220863 |       |



RECOMMENDED MATTING BOARD FOOTPRINT  
(Tolerance: ±0.05)



P.C. Board Layout  
(Tolerance: ±0.05)



DETAIL: A-A  
SCALE : 2:1

|             |            |                |       |                                       |  |     |
|-------------|------------|----------------|-------|---------------------------------------|--|-----|
| Tolerances  | Dwg. No.   | 9393-D0000-043 |       | Title:                                |  |     |
| x = ±0.5    | Projection |                |       | 9393-F Series<br>Power Edge Connector |  |     |
| .x = ±0.25  | Unit       | mm             | Scale |                                       |  | 1:1 |
| .xx = ±0.15 | Drawn By   | GYJ 08/02'22   |       |                                       |  |     |

|                                     |     |          |    |
|-------------------------------------|-----|----------|----|
| <b>OUPIN</b>                        |     |          |    |
| OUPIN ELECTRONIC(KUNSHAN) CO., LTD. |     |          |    |
| P/N: 9393-F2P50N×1ACB30PA           |     |          |    |
| SHEET                               | 2/2 | Ver. No. | R3 |