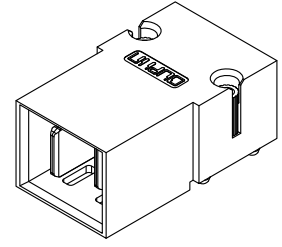
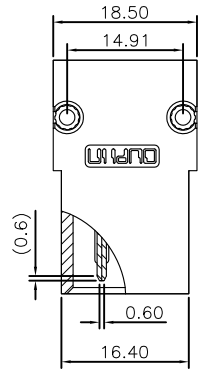


REV.	SPECIFICATION	ECN NO.	APPD.
R3		ECN170747	



**Material and Plating:**

Housing: LCP, UL94V-0, BLACK.  
 Power Contacts: High Conductivity Copper,  
 30u"Au+Pd/Ni on Contact Area and 80u"Min  
 Tin Plated on Solder Tail over nickel 50u"Min.

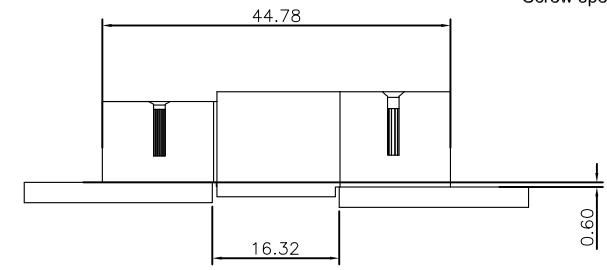
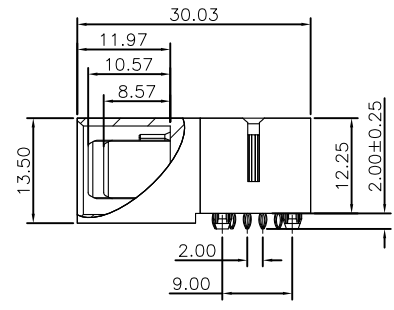
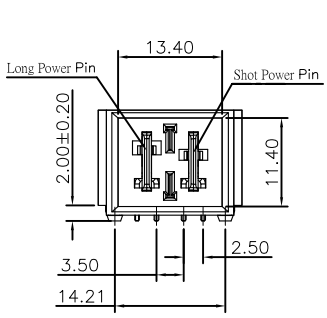
**Electrical Characteristics:**

Current Rating: Power Pin 65 AMP.  
 Dielectric Withstanding Voltage: AC 1500V For 1 minute.  
 Insulator Resistance: 1500MΩ min. at DC 500V.  
 Contact Resistance: Power Pin :4.5mΩ Max initial, After testing 5mΩ Max.  
 Operating Temperature: -40°C ~+85°C.

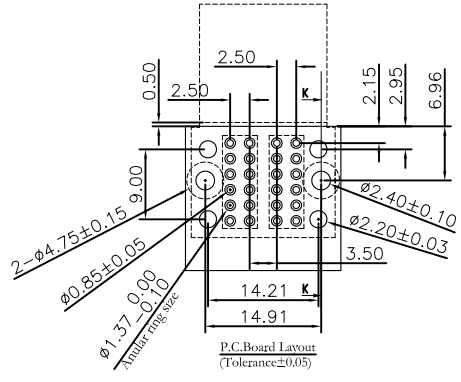
**\*RoHS Compliant**

**Notes:**

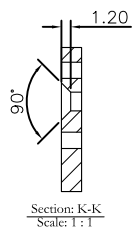
Durability: 200 cycles Max.  
 Screw specification: GB819-85\_M2X10, Shipment quantity: 3PCS.



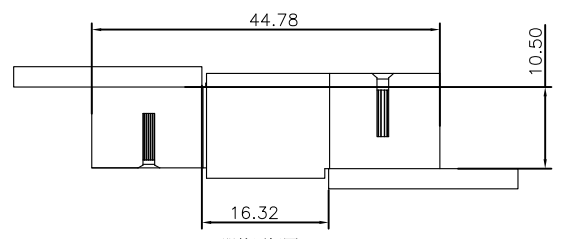
器件正插圖



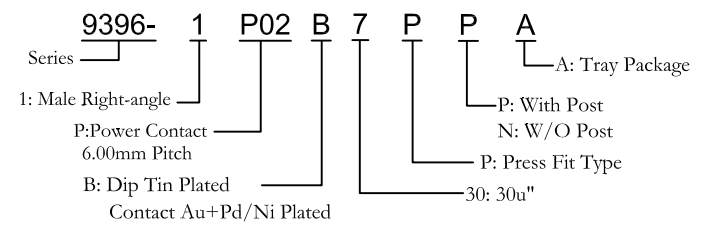
P.C. Board Layout  
(Tolerance±0.05)



Section: K-K  
Scale: 1:1



器件反插圖



Tolerances	Dwg. No.	9396-D0000-003		Title:		
x = ±0.5	Projection			Daughtercard and Daughtercard power Connector		
.x = ±0.25	Unit	mm	Scale			1:1
.xx = ±0.15	Drawn By	MXM 07/27'2017				

<b>OUPIN</b>			
OUPIN ELECTRONIC(KUNSHAN) CO., LTD.			
P/N: 9396-1P02B7PPA			
SHEET	1/1	Ver. No.	R3