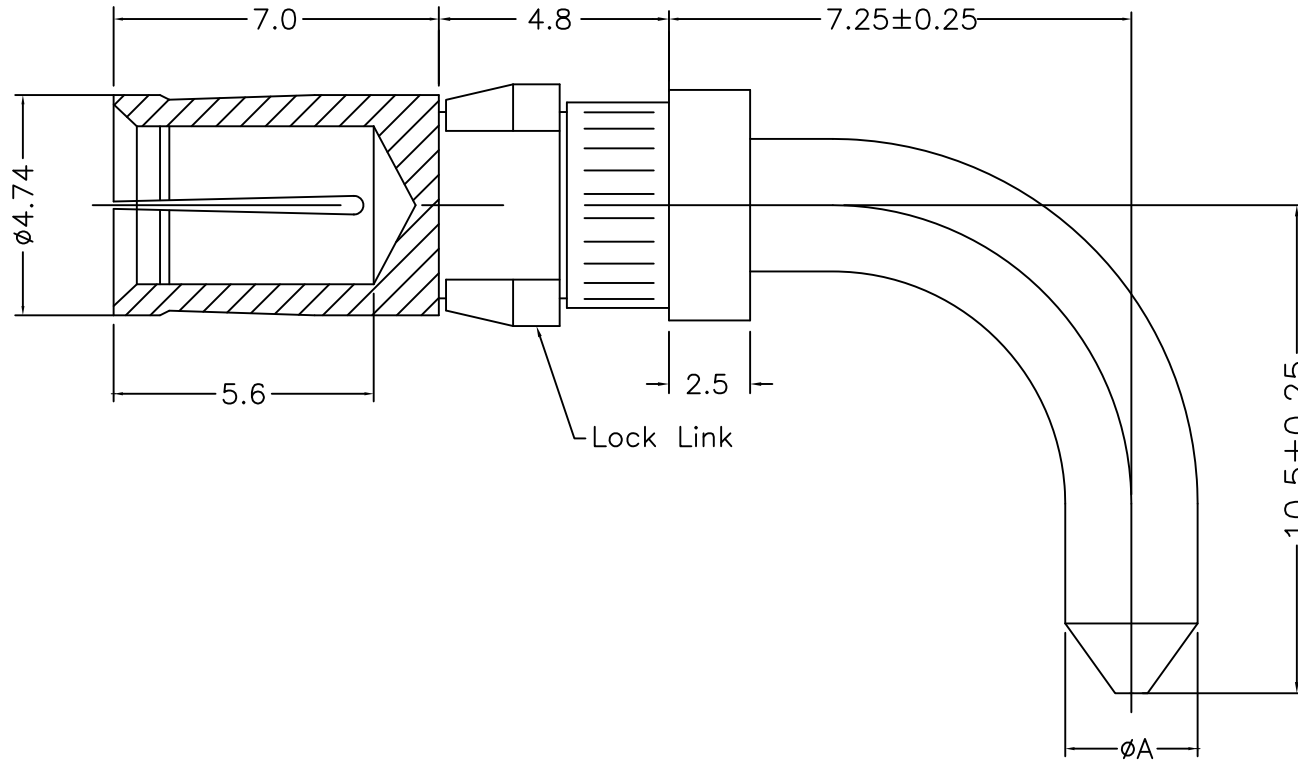


REV.	SPECIFICATION	ECN NO.	APPD.



**Material:**  
 Contact: Copper Alloy With Gold Plated.  
 Lock Link: Copper Alloy With Nickel Plated.  
**\*RoHS Compliant**

LB- Power Pin    F F:Female    R R:Right Angle Type    xx 20:20A 10:10A    01 Pin Type    G G:Gold Plated    xx 00:G/F 10:10 μ" 15:15 μ" 20:20 μ" 30:30 μ"    B B: Bulk Package

Current Rating (AMP)	Dimension
	0A
20	2.85
10	1.70

<b>Tolerances</b>	<b>Dwg. No.</b> LB00D02001
x = ±0.50	<b>Projection</b>
.x = ±0.25	<b>Unit</b> mm <b>Scale</b> 1:1
.xx = ±0.15	<b>Drawn By</b> Vic Lyu12/01'15

**Title:**  
 LB Series  
 Power Pin Female  
 Right Angle Type

OUPIIN ELECTRONIC(KUNSHAN) CO., LTD.			
P/N: LB-FRxx01GxxB			
<b>SHEET</b>	1/1	<b>Ver.No.</b>	A3

①597