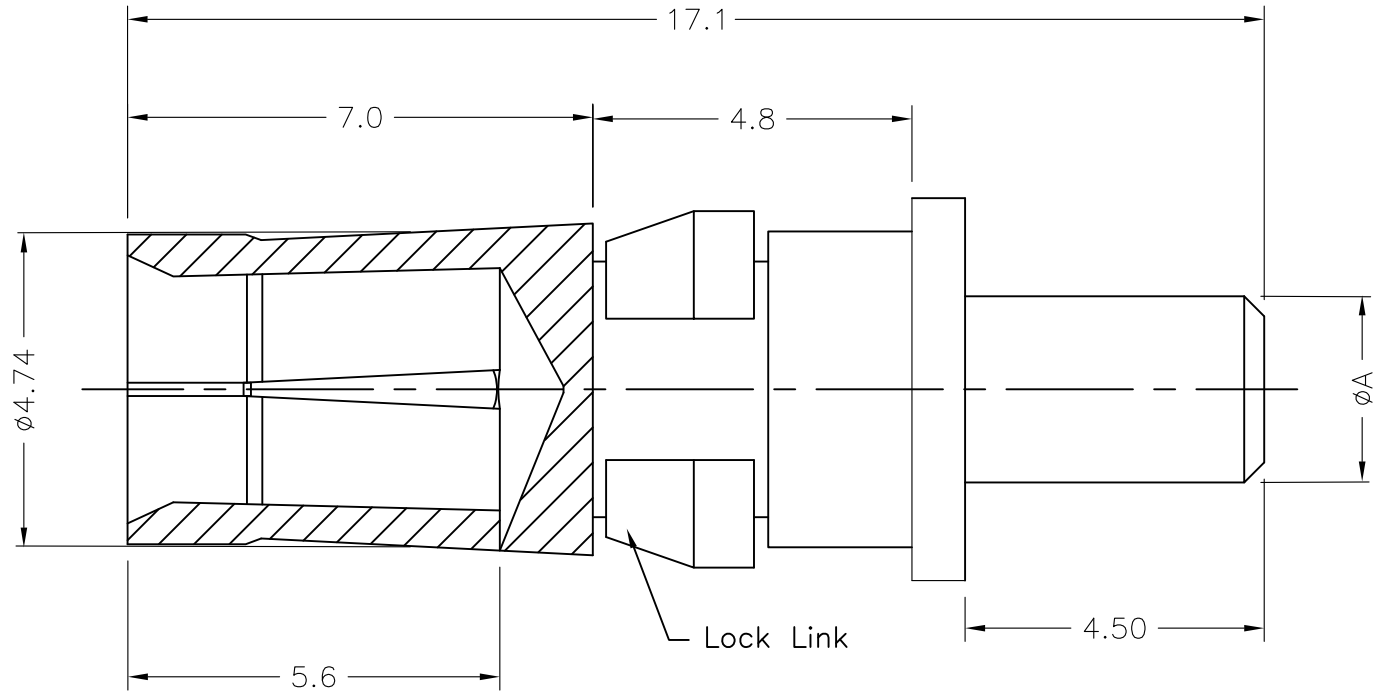


REV.	SPECIFICATION	ECN NO.	APPD.



**Material:**  
**Contact:** Copper Alloy With Gold Plated.  
**Lock Link:** Copper Alloy With Nickel Plated.  
**\*RoHS Compliant**

LB- F S xx 01 G xx B  
 Power Pin F: Female S: Straight Type 40: 40A 30: 30A 20: 20A 10: 10A Pin Type G: Gold Plated 00: G/F 10: 10  $\mu$ " 15: 15  $\mu$ " 20: 20  $\mu$ " 30: 30  $\mu$ " B: Bulk Package

Current Rating (AMP)	Dimension
	$\phi A$
40	3.75
30	3.17
20	2.85
10	1.70

<b>Tolerances</b>	<b>Dwg. No.</b>	LB00D02002
x = $\pm 0.50$	<b>Projection</b>	
.x = $\pm 0.25$	<b>Unit</b>	mm
.xx = $\pm 0.15$	<b>Scale</b>	1:1
	<b>Drawn By</b>	Vic Lyu12/01'15

**Title:**  
 LB Series  
 Power Pin Female  
 Straight Type  
 BJ-0061108-2

**OUPIIN**  
 OUPIIN ELECTRONIC(KUNSHAN) CO., LTD.  
 P/N: LB-FSxx01GxxB

<b>SHEET</b>	1/1	<b>Ver.No.</b>	A3
--------------	-----	----------------	----

597