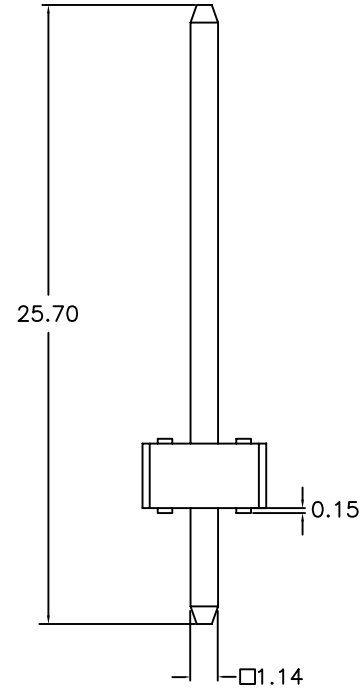
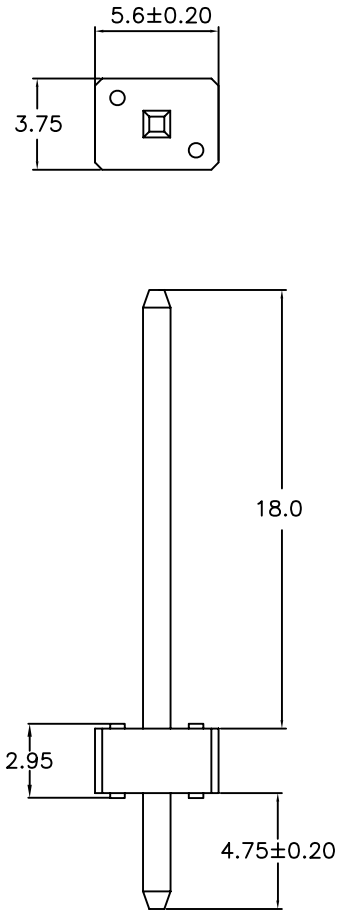


REV.	SPECIFICATION	ECN NO.	APPD.
A2			



Tolerances	Dwg. No.	DLC0D01004		Title:			
x = ±0.5	Projection			DLC Series			
.x = ±0.35	Unit	mm	Scale	Pin Header 5.08mm			
.xx = ±0.20	Drawn By	PEGGY03/09'12					
				OUPIIN ELECTRONIC(KUNSHAN) CO., LTD.			
				P/N: DLC-01PB/4.75/18			
				SHEET	1/1	Ver.No.	A2