

歐品電子(昆山)有限公司

OUPIIN ELECTRONIC(KUNSHAN) CO.,LTD.

PACKAGING SPECIFICATION (包裝作業規範)

CONFIDENTIAL TOP SECRET

| | | | | | | | | | | | |
|----------------------------|-----|--------------|---------------------------|---|--|---------------------------|--|-----------------|--|---|--|
| SPEC.NO.(規範編號) | | Q2041SPP-167 | | PAGE | | 1/4 | | REV. | | H | |
| APPLICABLE CUSTOMER (適用客戶) | ALL | | APPLICABLE PRODUCT (適用產品) | 2041-1XxxGxxSB 2041-1XxxTSB 2041-2XxxG00SB(-Axxx) | | PACKAGING CATEGORY (包裝方式) | | PVC-BOX PACKING | | | |

REVISION HISTORY (修訂履歷)

| REV. | ECN NO | PAGE (頁次) | | | | | | | |
|------|--------|--|---|---|---|--|--|--|--|
| | | 1 | 2 | 3 | 4 | | | | |
| E | | Add P/N (增加料號) | | | | | | | |
| F | | The inner box increases labels (內盒增加標籤) | | | | | | | |
| G | | Add P/N (增加料號) | | | | | | | |
| H | | Change the packing quantity. (包裝數量變更) | | | | | | | |
| | | | | | | | | | |
| | | | | | | | | | |
| | | | | | | | | | |
| | | | | | | | | | |

| | | | | | |
|-----------------|-----------------------------|---------------|--------------|---------------|----------------|
| DIVISION (事業單位) | Product Development (產品開發課) | APPROVED (核准) | CHECKED (審核) | PREPARED (制表) | LIYUN 22/05'30 |
|-----------------|-----------------------------|---------------|--------------|---------------|----------------|

歐品電子(昆山)有限公司

OUPIIN ELECTRONIC(KUNSHAN) CO.,LTD.

PACKAGING SPECIFICATION (包裝作業規範)

■ CONFIDENTIAL □ TOP SECRET

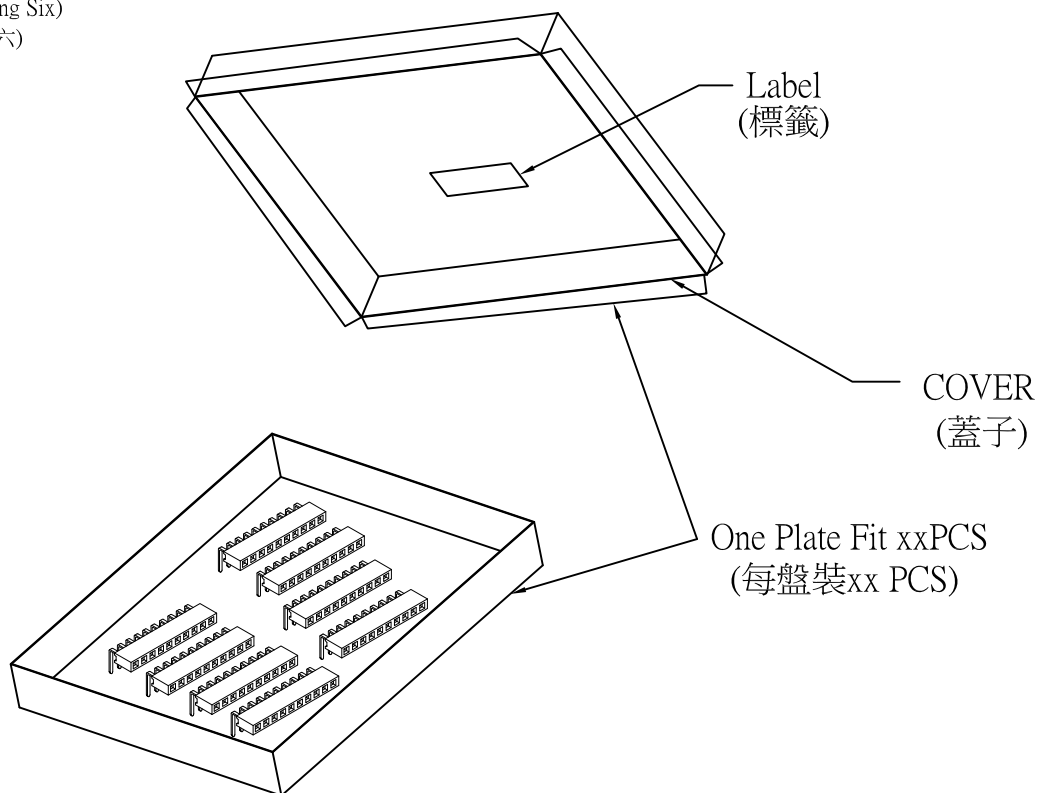
SPEC.NO.(規範編號) Q2041SPP-167

PAGE 2/4 REV. H

PACKING OPERATION DIAGRAM & INSTRUCTION (包裝作業圖示及說明)

REMARK (備注)

2041-xXxxGxxSB
XX PCS
(Drawing Six)
(圖六)



一.PVC Plate Packing Mode:

(PVC盤包裝方式)

- (1).PVC-214
- (2).Every box should have upper and lower cover.
(每個PVC盒有上蓋和下蓋)
- (3).Install Product:Put the finished product in the case neatly.
(產品放置方式:將成品擺放整齊放置於盒中)
- (4)2041-2X03G00SB needs to stick to the little label at the inner box ' Such as Fig. six)
(2041-2X03GxxSB在內盒上需貼小標籤 (如圖六))
- (5).After instal XX PCS product, cover the packing box, seal the cover with sticky belt.
(放滿XXPCS產品後,在包裝盒上下蓋起,用膠帶封住蓋子)
- (6).Put the PVC box filled with product in the paper box in which the waterproof bag has been laid.
(將放滿產品的PVC盒裝入放好防水袋的紙箱內)

歐品電子(昆山)有限公司

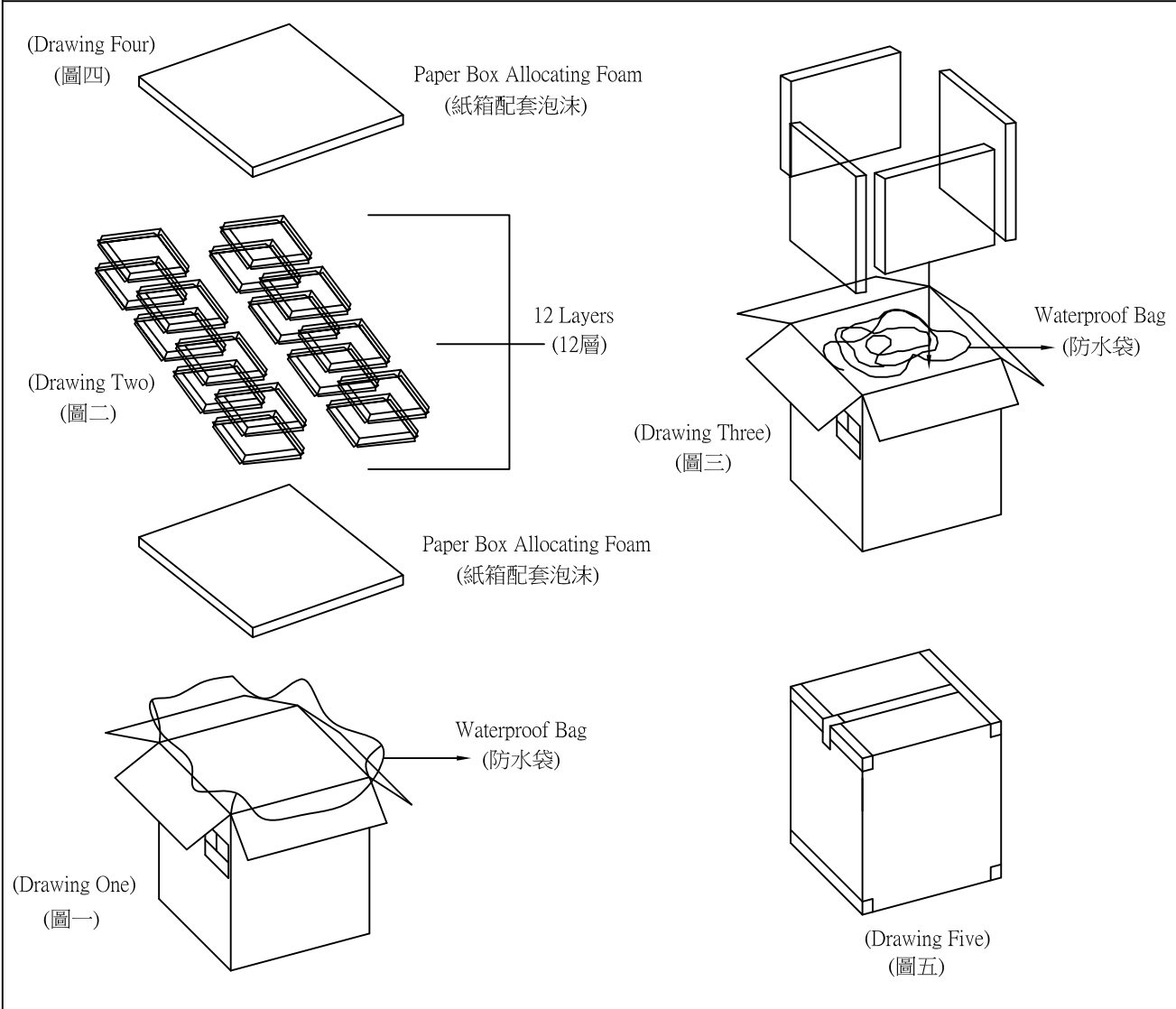
OUPIIN ELECTRONIC(KUNSHAN) CO.,LTD.

PACKAGING SPECIFICATION (包裝作業規範)

| | | | |
|--|-----|-------------------------------------|---|
| <input checked="" type="checkbox"/> CONFIDENTIAL | | <input type="checkbox"/> TOP SECRET | |
| PAGE | 3/4 | REV. | H |

SPEC.NO.(規範編號) Q2041SPP-167

| | |
|---|-------------|
| PACKING OPERATION DIAGRAM & INSTRUCTION (包裝作業圖示及說明) | REMARK (備注) |
|---|-------------|



二。Outer Box Packing Mode:
(外箱包裝方式)

- (1).Paper Box(CT-0.9)1PCS(Drawing One).
紙箱(CT-0.9)1PCS(圖一).
- (2.)Put 1PCS aloccating foam at the bottom of the paper box, put 1PCS waterproof bag on the foam(Drawing One).
底層放入紙箱配套泡沫1PCS.上面放入防水袋1PCS(圖一).
- (3).Seal the waterproof after folding 12layers PVC box(Drawing Two).
疊好12層PVC盒後封上防水袋(圖二).
- (4)Put 1PCS allocating form at each side in the paper box(Drawing Three).
紙箱裡面四側放入配套泡沫各1PCS(圖三).
- (5)Put 1PCS allocating foam at the uppermost layer of the paper box (Drawing Four).
最上層放入紙箱配套泡沫1PCS(圖四).
- (6)Seal the surface of the outer box(Drawing Five).
將外箱上層封口(圖五).

The form on the right and flank side of the box must be filled correctly and clearly,take actual testing weight as the standard of each box groos weight.
(外箱之正面和側面所要填寫之項目要填寫正確,清晰,每箱之毛重應以實測重量為準)

歐品電子(昆山)有限公司

OUPIIN ELECTRONIC(KUNSHAN) CO.,LTD.

PACKAGING SPECIFICATION (包裝作業規範)

CONFIDENTIAL TOP SECRET

| SPEC.NO.(規範編號) | | Q2041SPP-167 | | | | | | PAGE: | | 4/4 | REV. | H |
|-------------------------|---------------|--------------|---------------------|--------------|-------------------------|-------------|---------|----------------|----------|----------|------|---|
| PACKING MATERIAL (包裝材料) | | | PRODUCT P/N | PACKING N.W. | PACKING QUANTITY (包裝數量) | | | WEIGHT (重量) kg | | | | |
| MATERIAL NAME (材料名稱) | PART NO. (料號) | Q'TY | (產品料號) | (包材重量) | PCS/PVC BOX | PVC BOX/BOX | PCS/BOX | N.W./PCS | N.W./BOX | G.W./BOX | | |
| PAPER BOXES (紙箱) | CT-0.9 | 1 | 2041-1X02GxxSB | 2.94 | 500 | 120 | 60000 | 0.00011 | 6.60 | 9.54 | | |
| Packing Box (包裝盒) | PVC-214 | 120 | 2041-1X03GxxSB | 2.94 | 400 | 120 | 48000 | 0.000165 | 7.92 | 10.86 | | |
| | | | 2041-1X04GxxSB | 2.94 | 300 | 120 | 36000 | 0.00022 | 7.92 | 10.86 | | |
| | | | 2041-1X05GxxSB | 2.94 | 300 | 120 | 36000 | 0.000275 | 9.90 | 12.84 | | |
| WATERPROOF BAG (防水袋) | PE 100*70 | 1 | 2041-1X06GxxSB | 2.94 | 200 | 120 | 24000 | 0.00033 | 7.92 | 10.86 | | |
| | | | 2041-1X09GxxSB | 2.94 | 120 | 120 | 14400 | 0.000385 | 5.54 | 8.48 | | |
| | | | 2041-1X02TSB | 2.94 | 500 | 120 | 60000 | 0.00012 | 7.20 | 10.14 | | |
| Foam (保麗龍) | ----- | 5 | 2041-1X03TSB | 2.94 | 400 | 120 | 48000 | 0.00017 | 8.16 | 11.10 | | |
| | | | 2041-1X04TSB | 2.94 | 300 | 120 | 36000 | 0.00024 | 8.64 | 11.58 | | |
| | | | 2041-1X05TSB | 2.94 | 300 | 120 | 36000 | 0.00029 | 10.44 | 13.38 | | |
| DRYING AGENT (干燥劑) | ----- | 3 | 2041-2X02GxxSB | 2.94 | 250 | 120 | 30000 | 0.00028 | 8.40 | 11.34 | | |
| | | | 2041-2X02GxxSB-A001 | 2.94 | 250 | 120 | 30000 | 0.00028 | 8.40 | 11.34 | | |
| | | | 2041-2X03GxxSB | 2.94 | 250 | 120 | 30000 | 0.00034 | 10.20 | 13.14 | | |
| | | | 2041-2X04GxxSB | 2.94 | 200 | 120 | 24000 | 0.00043 | 10.32 | 13.26 | | |
| | | | 2041-2X05GxxSB | 2.94 | 150 | 120 | 18000 | 0.00056 | 10.08 | 13.02 | | |
| | | | 2041-2X05GxxSB-A004 | 2.94 | 150 | 120 | 18000 | 0.00056 | 10.08 | 13.02 | | |
| | | | 2041-2X06GxxSB | 2.94 | 100 | 120 | 12000 | 0.00067 | 8.04 | 10.98 | | |
| | | | 2041-2X07GxxSB | 2.94 | 100 | 120 | 12000 | 0.00103 | 12.36 | 15.30 | | |