

# 弘振企業股份有限公司

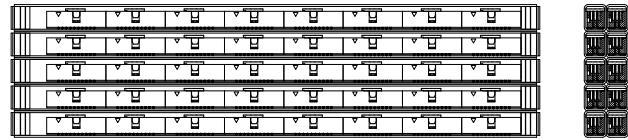
OUPHIN ELECTRONIC CO.,LTD.

## PACKAGING SPECIFICATION (包裝作業規範)

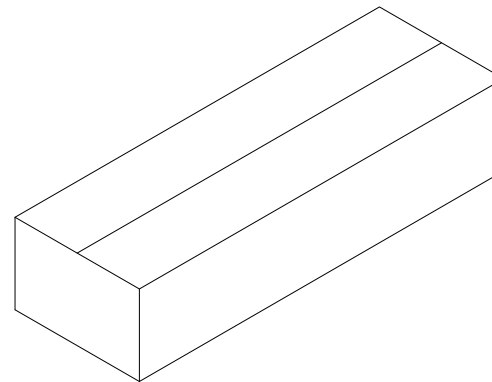
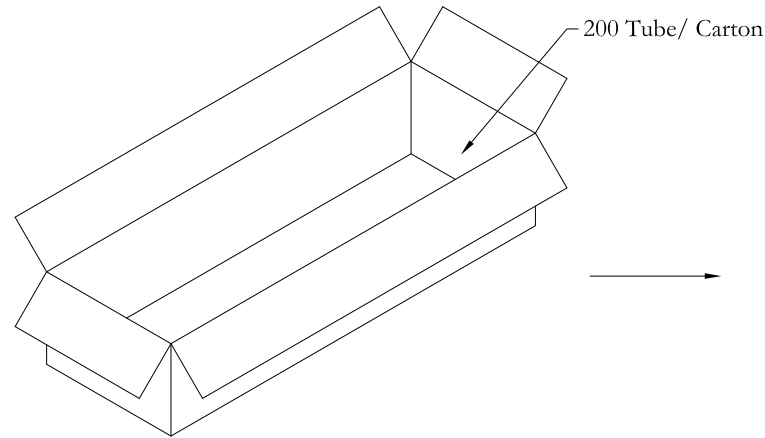
SPEC.NO.(規範編號)	3216SPP	適用產品: 3216-xxG00RBU	PAGE	1/1	REV.	I538-B
----------------	---------	---------------------	------	-----	------	--------

### PACKING OPERATION DIAGRAM & INSTRUCTION (包裝作業圖示及說明)

### REMARK (備註)



Tube(L):635(mm)



Carton: 660(mm)X225(mm)X145(mm)

**Packing:**  
48 PCS/ TRAY  
200 TRAY/ CARTON  
9600 PCS/ CARTON

**N.W = 4.32 Kg/ CARTON**  
**G.W = 7.7 Kg/ CARTON**

Drawn By: Ping 01/16'19