

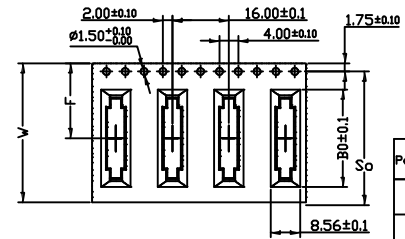
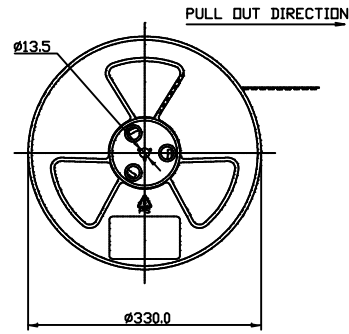
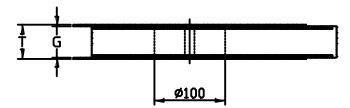
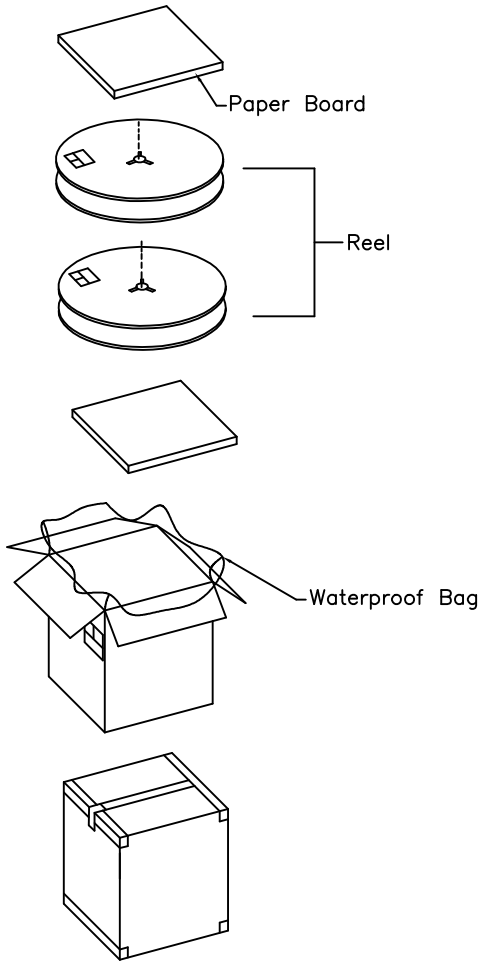
# 歐品電子(昆山)有限公司

OUPIIN ELECTRONIC(KUNSHAN) CO.,LTD.

## PACKAGING SPECIFICATION (包裝作業規範)

SPEC.NO.(規範編號)	4071-F SPP	適用產品: 4071-FxxTDT	PAGE	1/1	REV.	I676
----------------	------------	-------------------	------	-----	------	------

PACKING OPERATION DIAGRAM & INSTRUCTION (包裝作業圖示及說明)	REMARK (備註)
---	-------------



Positions	W	S	F	T	G	BD	上粘帶寬度
3						7.9	21.3
4	24	/	11.5	28.5	24.4	10.5	
5						13.0	
6	32	28.4	14.2	36.5	32.5	15.54	25.5

**Package:**  
 3Positions:  
 300 Pcs/ Reel  
 12 Reel/ Carton  
 3600 Pcs/ Carton  
**Carton:**  
 N.W.: 1.83 Kg  
 G.W.: 5.47 Kg

4Positions:  
 300 Pcs/ Reel  
 12 Reel/ Carton  
 3600 Pcs/ Carton  
**Carton:**  
 N.W.: 2.37 Kg  
 G.W.: 6 Kg

5Positions:  
 300 Pcs/ Reel  
 12 Reel/ Carton  
 3600 Pcs/ Carton  
**Carton:**  
 N.W.: 2.9 Kg  
 G.W.: 6.6 Kg

6Positions:  
 300 Pcs/ Reel  
 9 Reel/ Carton  
 2700 Pcs/ Carton  
**Carton:**  
 N.W.: 3.56 Kg  
 G.W.: 7.3 Kg

Carton:350(mm)X350(mm)X360(mm)

Drawn By: Jerry 11/26'19