

歐品電子(昆山)有限公司

OUPIIN ELECTRONIC(KUNSHAN) CO.,LTD.

PACKAGING SPECIFICATION (包裝作業規範)

CONFIDENTIAL TOP SECRET

SPEC.NO.(規範編號) Q9114SPP-642		APPLICABLE PRODUCT (適用產品) 9114-2X2Cxx(CBxx)PPxA		PAGE 1/4	REV. G
APPLICABLE CUSTOMER (適用客戶) ALL				PACKAGING CATEGORY (包裝方式) TRAY PLATE PACKING	

REVISION HISTORY (修訂履歷)

ECN REV. NO	PAGE (頁次)								
	1	2	3	4					
B	Change the packing quantity 修改包裝數量								
C	ADD adhibit bar code (增加貼條形碼)								
D	Revise the bag material number accord with the material object (修改包材料號符合實物)								
E	Change the packing Norm 修改包裝規範								
F	Revise the material of bag 修改包材								
G	APPLICABLE customers 修改適用客戶								

DIVISION (事業單位) Product Development (產品開發課)	APPROVED (核准)	CHECKED (審核)	PREPARED (制表)	L Q 07/22'16
---	---------------	--------------	---------------	--------------

歐品電子(昆山)有限公司

OUPIIN ELECTRONIC(KUNSHAN) CO.,LTD.

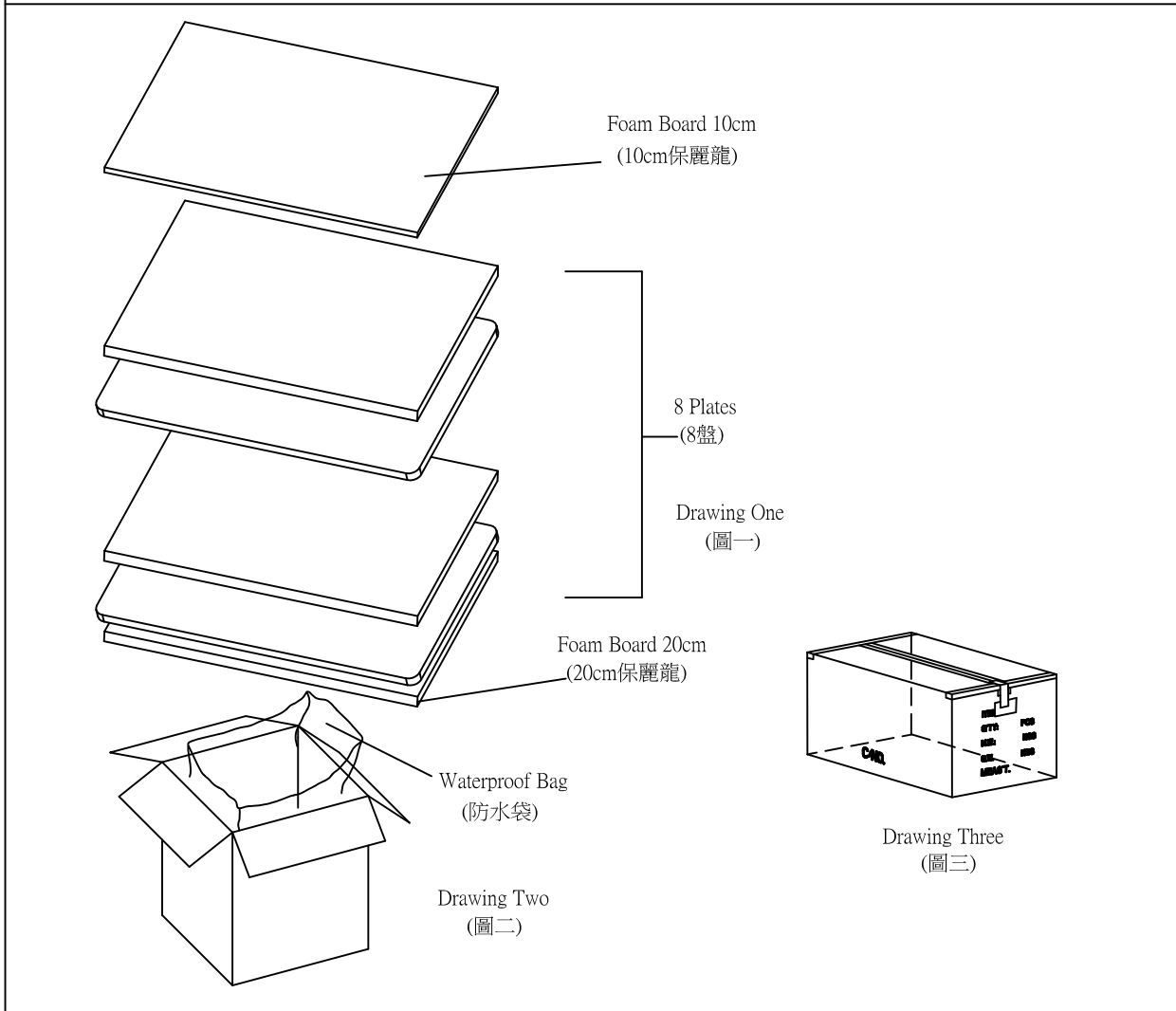
PACKAGING SPECIFICATION (包裝作業規範)

<input checked="" type="checkbox"/> CONFIDENTIAL <input type="checkbox"/> TOP SECRET	
PAGE	3/4
REV.	G

SPEC.NO.(規範編號) Q9114SPP-642

PACKING OPERATION DIAGRAM & INSTRUCTION (包裝作業圖示及說明)

REMARK (備注)



一. Outer Box Packing Mode:

(外箱包裝方式)

- (1). Paper box 0.5 standard 1 PCS, as shown in drawing Two.
(紙箱0.5規格 1 PCS, 如(圖二)所示)
- (2). Put one Foam Board in the upper and lower of the paper box, 10mm puts the above, 20mm puts down the surface, 2PCS in all., as shown in drawing One.
(每箱上下各放一塊保麗龍, 共2PCS, 上面放10mm, 下面放20mm, 另外再把8盤成品用透明膠帶纏上 如(圖一)所示)
- (3). Put 1 PCS waterproof in the paper box, as shown in drawing Two.
(紙箱內側放入防水袋 1 PCS, 如(圖二)所示)
- (4). Piled the 8 packing plates packed up in the waterproof.
(將放滿產品的8個PVC盤疊起, 裝入防水袋內)
- (5). Seal the waterproof bag, then put the Foam Board 1PCS on the bag.
(Put 1 PCS Foam Board at the right and left side in the paper box if it is necessary.)
(封上防水袋, 然後放上第二塊保麗龍薄板)
(必要時, 在紙箱的左右兩側各放一塊保麗龍)
- (6). Seal the surface of the outer box, as shown in drawing Three.
(將外箱上層封口, 如(圖三)所示)

The form on the right and flank side of the box must be filled correctly and clearly, take actual testing weight as the standard of each box gross weight.

外箱之正麥和側麥所要填寫之項目要填寫正確, 清晰, 每箱之毛重應以實測重量為準。

歐品電子(昆山)有限公司

OUPIIN ELECTRONIC(KUNSHAN) CO.,LTD.

PACKAGING SPECIFICATION (包裝作業規範)

CONFIDENTIAL TOP SECRET

SPEC.NO.(規範編號)		Q9114SPP-642				PAGE:		4/4		REV.		G	
PACKING MATERIAL (包裝材料)			PRODUCT P/N		CT NO.	PACKING N.W.		PACKING QUANTITY (包裝數量)			WEIGHT (重量) kg		
MATERIAL NAME (材料名稱)	PART NO. (料號)	Q'TY	(產品料號)		(紙箱規格)	(包材重量)		PCS/TRAY	TRAY/BOX	PCS/BOX	N.W./PCS	N.W./BOX	G.W./BOX
PAPER BOXES (紙箱)	CT-0.5	1	9114-2x2Cxx(CBxx)PPxA		CT-0.5	2.11		135	8	1080	0.002730	2.95	5.06
Packing Box (包裝盒)	PVC-9114-001	8											
Packing Box Cover (包裝盒蓋子)	PVC-9114-002	1											
WATERPROOF BAG (防水袋)	PE 100*90	1											
Foam (保麗龍)	-----	2											
DRYING AGENT (干燥劑)	-----	3											

1.NOTE:
(注意)
When the finished products have been made,take the actual weigh: as the standard of gross weight in each box.
(成品出貨時,每箱之毛重應以實測重量為準)
When the finished products have been made,stick the proper designation list on the box according to product de
CT-1.6 Produce goods taiwan , CT-1.9 Produce goods shanghai. (CT-1.6出貨台灣OP , CT-1.9出貨上海SH)
It doesn't influence the manner of packing with the gold-plated way to print word way,Can amalgamate.(印字方式跟鍍金方式不影響包裝方式,可以共用)