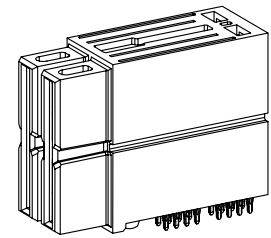
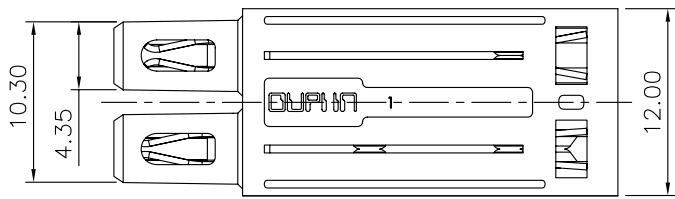


REV.	SPECIFICATION	ECN NO.	APPD.
R5		ECN131145	



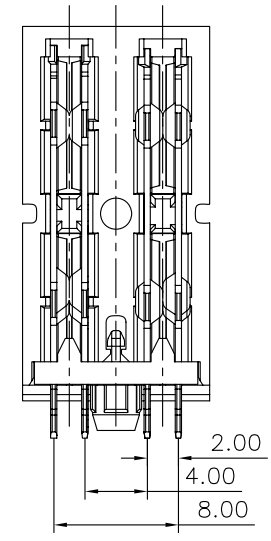
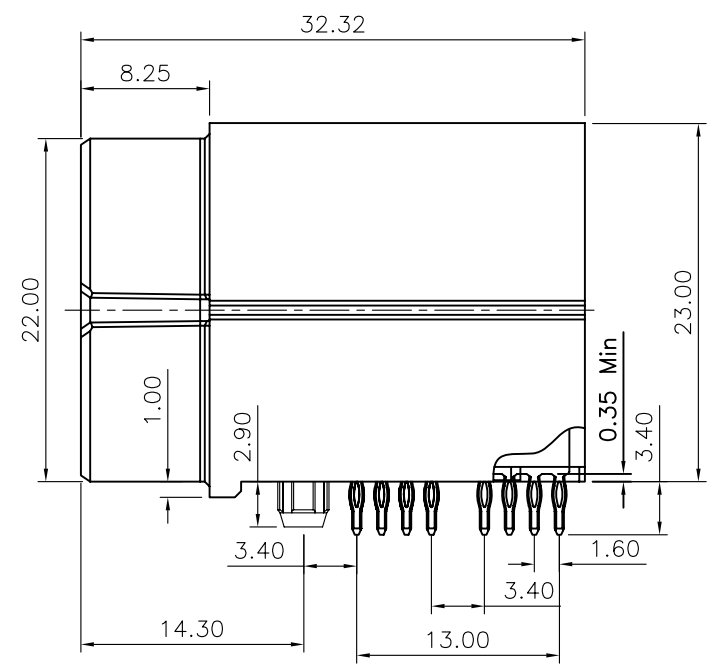
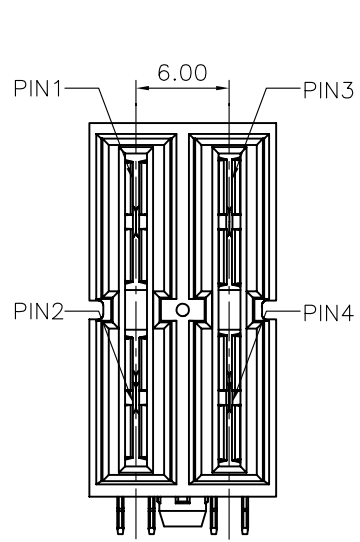
**Material:**

Housing: High Temperature Plastic UL94V-0.  
 Contacts: Copper Alloy.

**Electrical Characteristics:**

Current Rating: 35 AMP(2oz\*2);45 AMP(2oz\*4).  
 Dielectric Withstanding Voltage: AC 1500V For 1 minute.  
 Insulator Resistance: Power Pin 1500MΩ min. at DC 500V.  
 Contact Resistance: Power Pin 0.5mΩ max.  
 Operating Temperature: -55°C ~+125°C.

\*RoHS Compliant



9114-A 2 2 A CB 30 P P R A  
 Series: A:Tray Package  
 2:2Row: R:90 Curve Type  
 2: Power Pin: P: With Post  
 A:Type A: N: Without Post  
 CB: Contact Au+Pd/Ni Dip Tin  
 30:30u" P: Press fit Type

Short PIN:   
 Long PIN:

Type No.	Product No.
PIN1 PIN2 PIN3 PIN4	9114-A22ACB30PPRA
PIN1 PIN2 PIN3 PIN4	9114-A22BCB30PPRA

Tolerances	Dwg. No.	9114-D0000-004	Title:	
x = ±0.50	Projection		9114 Series	
.x = ±0.25	Unit	mm	Scale	1:1
.xx = ±0.15	Drawn By	LKP 12/13'13	Female power connector	

<b>OUPIN</b>			
OUPIN ELECTRONIC(KUNSHAN) CO., LTD.			
P/N: 9114-A22ACB30PPRA			
SHEET	1/2	Ver. No.	R5

REV.	SPECIFICATION	ECN NO.	APPD.
R5		ECN131145	

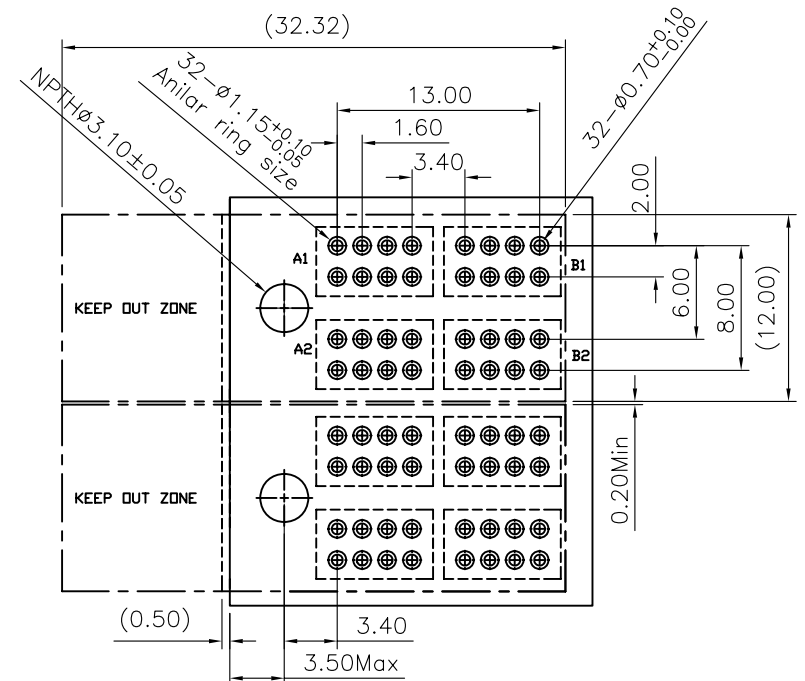
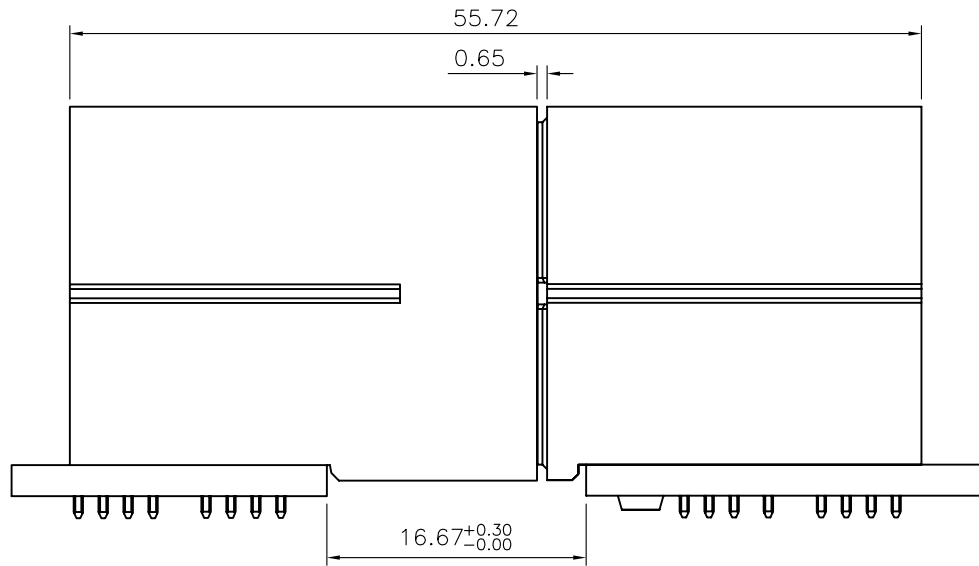
**Material:**

Housing: High Temperature Plastic UL94V-0.  
 Contacts: Copper Alloy.

**Electrical Characteristics:**

Current Rating: 35 AMP(2oz\*2);45 AMP(2oz\*4).  
 Dielectric Withstanding Voltage: AC 1500V For 1 minute.  
 Insulator Resistance: Power Pin 1500MΩ min. at DC 500V.  
 Contact Resistance: Power Pin 0.5mΩ max.  
 Operating Temperature: -55°C ~+125°C.

\*RoHS Compliant



Top P.C. Board layout  
Tolerance±0.05

9114-A 2 2 A CB 30 P P R A  
 Series — A:Tray Package  
 2:2Row — R:90 Curve Type  
 2: Power Pin — P: With Post  
 A:Type A — N: Without Post  
 CB: Contact Au+Pd/Ni — P: Press fit Type  
 Dip Tin — 30:30u"

Short PIN.   
 Long PIN.

Tolerances	Dwg. No.	9114-D0000-004		Title:	
x = ±0.50	Projection			9114 Series Female power connector	
.x = ±0.25	Unit	mm	Scale		1:1
.xx = ±0.15	Drawn By	LKP 12/13'13			

Type No.	Product No.
	9114-A22ACB30PPRA
	9114-A22BCB30PPRA
<b>OUPIIN</b>	
<b>OUPIIN ELECTRONIC(KUNSHAN) CO., LTD.</b>	
P/N: 9114-A22ACB30PPRA	
SHEET	2/2
Ver. No.	R5