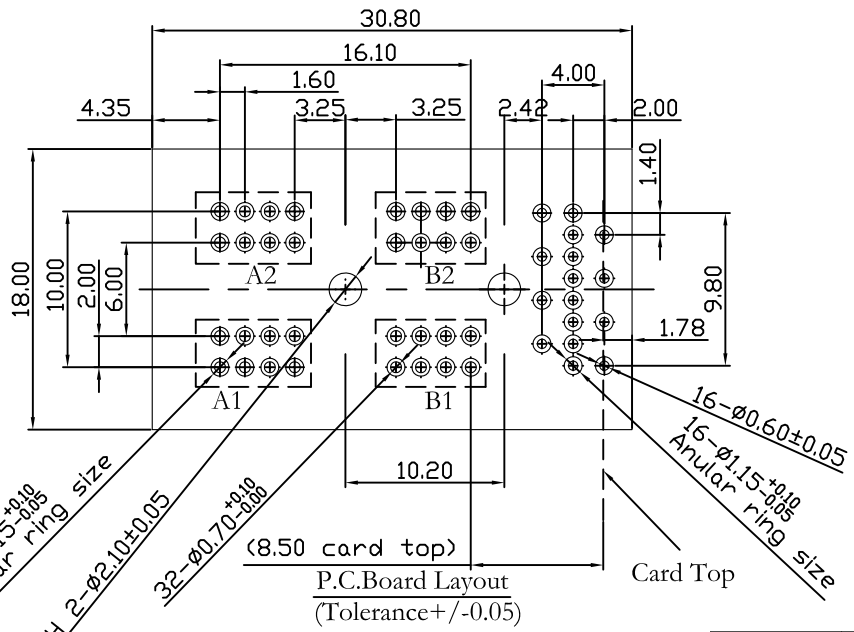
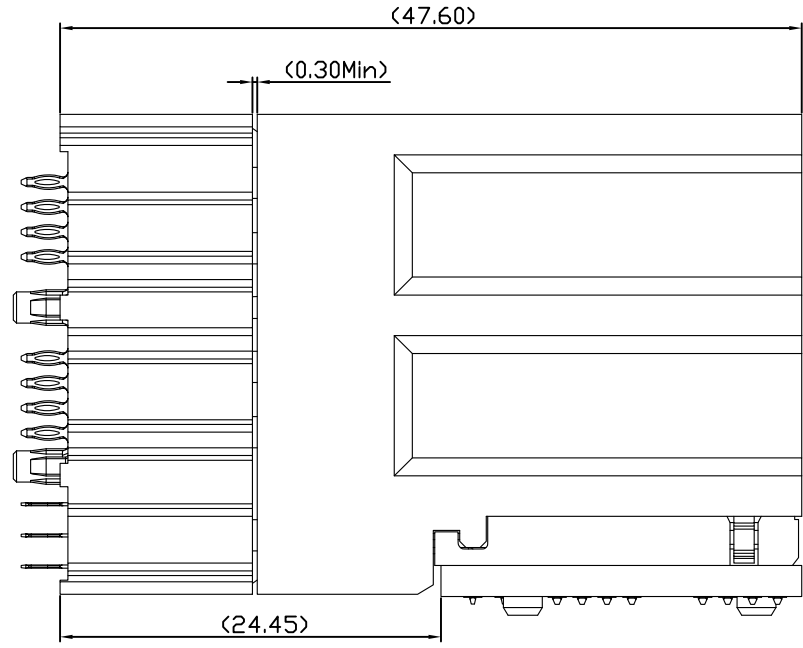
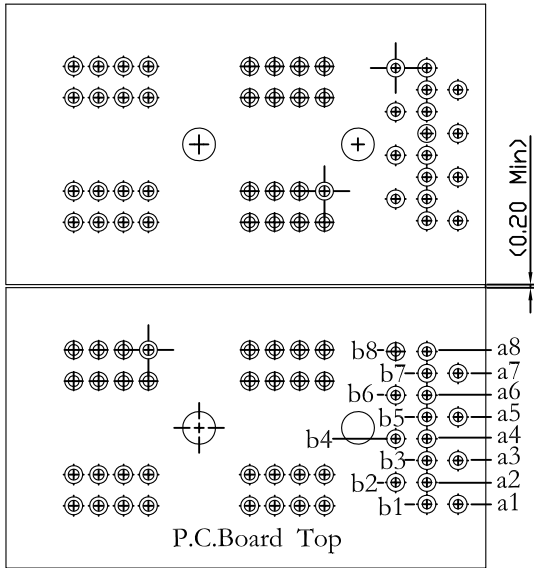


REV.	SPECIFICATION	ECN NO.	APPD.
R1		E141234	



Tolerances	Dwg.No.	9114-D0000-011	Title:	
X = ± 0.5	Projection		9114 Series Female Power + Signal connector	
.X = ± 0.25	Unit	mm	Scale	1:1
.XX = ± 0.15	Drawn By	Alan 01/31'15	©(r)	

DUPIIN			
DUPIIN ELECTRONIC(KUNSHAN) CO., LTD.			
P/N: 9114-B22AS16CB30-CB30PPA01			
SHEET	2/2	Ver.No.	R1