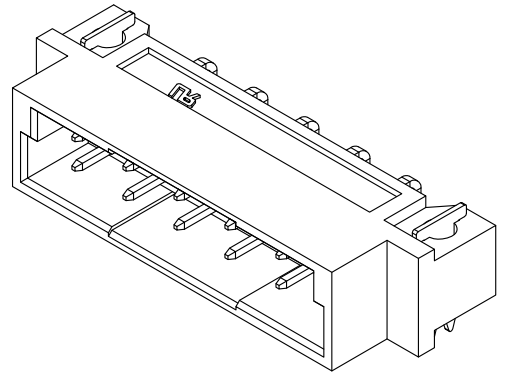
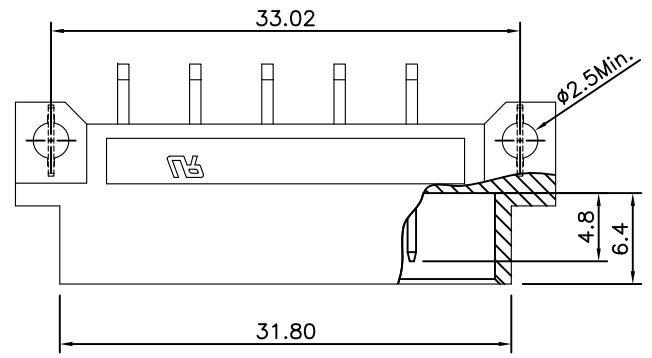


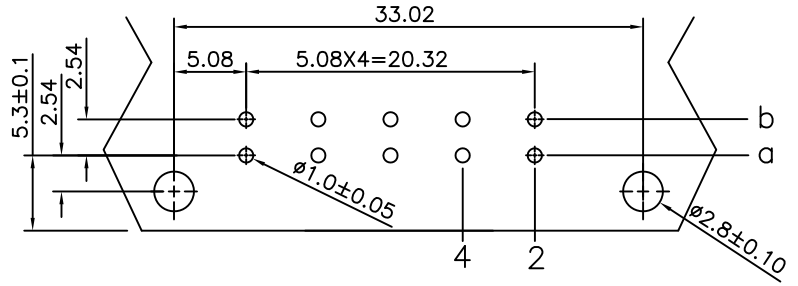
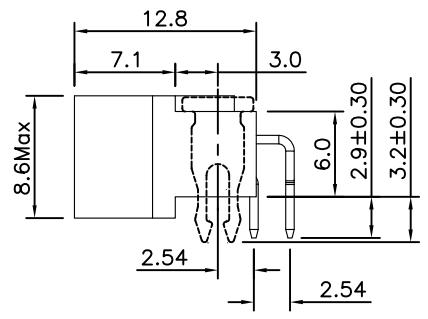
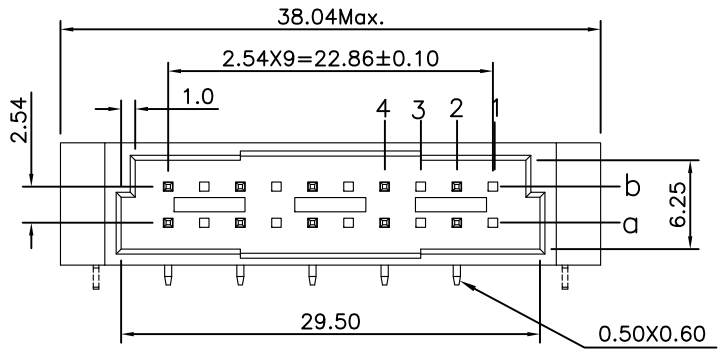
| | | | |
|------|---------------|-----------|-------|
| REV. | SPECIFICATION | ECN NO. | APPD. |
| R3 | | ECN231130 | |



Material and Plating:
Housing: PBT, UL94V-0, Beige.
Contacts: Brass.
Lock: Phosphor Bronze.
Gold Plated on Contact Area and 80u" Min Tin Plated on solder tail over 50u" Min Nickel.

Electrical Characteristics:
Current Rating: 2 AMP.
Dielectric Withstanding Voltage: AC 1000V For 1 minute.
Insulator Resistance: 1000MΩ min. at DC 500V.
Contact Resistance: 30mΩ max. at DC 100mA.
Operating Temperature: -55°C~+125°C .

***RoHS Compliant**



P.C. Board Layout
(Tolerance: ±0.05)

9001- 4 5 10 1 C xx L1 A

Series: 4: 5.08mm, 5: Male, 10: 10 u", 15: 15 u", 30: 30 u"
Position: 1: Dip Length
C: Dip Tin Contact Gold

A: Tray Package
Blank: W/O Lock
L1: With Lock
00: G/F

| Pitch | Position | Rows with Contacts | Contact Arrange |
|--------|----------|--------------------|-----------------|
| 5.08mm | 10 | a b | |

| | | | | | | | |
|-------------|------------|-------------|---------------------------|---|--|--|--|
| Tolerances | Dwg. No. | 9001D45003 | Title: | OUPIN ELECTRONIC(KUNSHAN) CO., LTD. P/N: 9001-45101CxxL1A SHEET 1/1 Ver.No. R3 | | | |
| x = ±0.5 | Projection | | 9001 Series | | | | |
| .x = ±0.25 | Unit | mm | DIN41612 Half B Type Male | | | | |
| .xx = ±0.15 | Scale | 1:1 | | | | | |
| | Drawn By | WP 11/16'23 | | | | | |