

REV.	SPECIFICATION	ECN NO.	APPD.
R4		ECN190103	

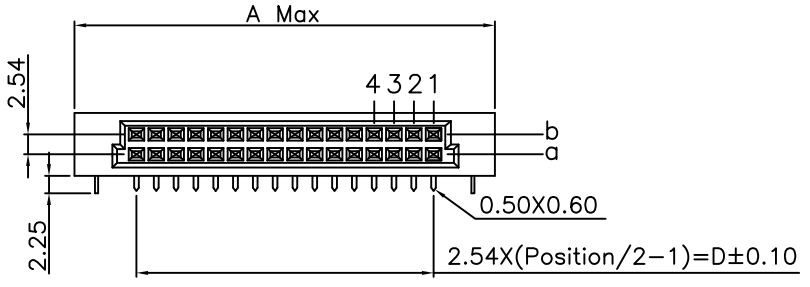
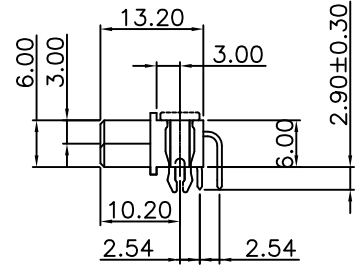
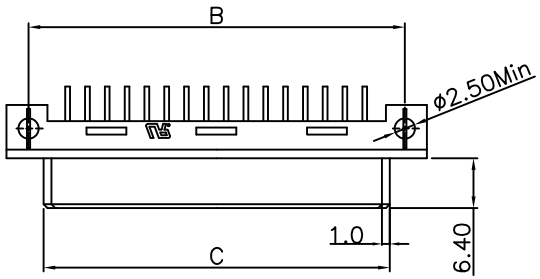
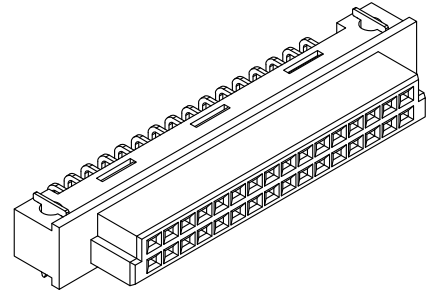
Material and Plating:

Housing: PBT, UL94V-0, Beige.
 Contacts: Copper Alloy.
 Gold Plated on Contact Area and 80u" Min Tin or Gold Flash Plated on Solder Tail over Nickel 50u" Min.
 Lock: Phosphor bronze.

Electrical Characteristics:

Current Rating: 2 AMP.
 Dielectric Withstanding Voltage: AC1000V For 1 minute.
 Insulator Resistance: 1000MΩ min. at DC 500V.
 Contact Resistance: 20mΩ max. at DC 100mA.
 Operating Temperature: -55°C ~ +125°C.

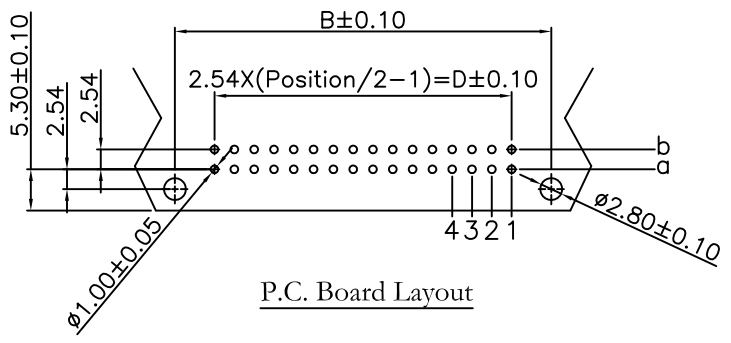
***RoHS Compliant**



Dimension				
Position	A	B	C	D
32/16/8	54.00	48.26	44.40	38.10
20/10	38.80	33.02	29.20	22.86

	a b	32	32	2.54mm
	a b	20	20	
	a -	32	16	5.08mm
	a b	32	16	
	a b	20	10	
	a -	32	8	
Contact Arrange	Rows with Contacts	Position	Pin	Pitch

Series 9001- 3 8 xx 1 C xx x A
 3: 2.54mm
 4: 5.08mm
 8: Female
 Position
 1: Dip Length
 A: Tray Package
 Blank: W/O Lock
 L1: With Lock
 00: G/F
 10: 10u"
 15: 15u"
 30: 30u"
 C: Dip Tin
 Contact Gold
 G: Gold



Tolerances	Dwg. No.	9001D38001	Title:
x = ±0.5	Projection		9001 Series
.x = ±0.25	Unit	mm	DIN41612 Half
.xx = ±0.15	Drawn By	dyq 01/04'19	Q,1/3Q Type Female

OUPIN
 OUPIN ELECTRONIC(KUNSHAN) CO., LTD.
 P/N: 9001-3(4)8xx1CxxxA
 SHEET 1/1 Ver.No. R4