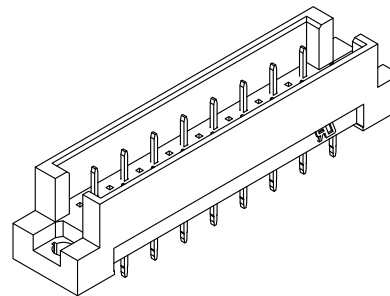
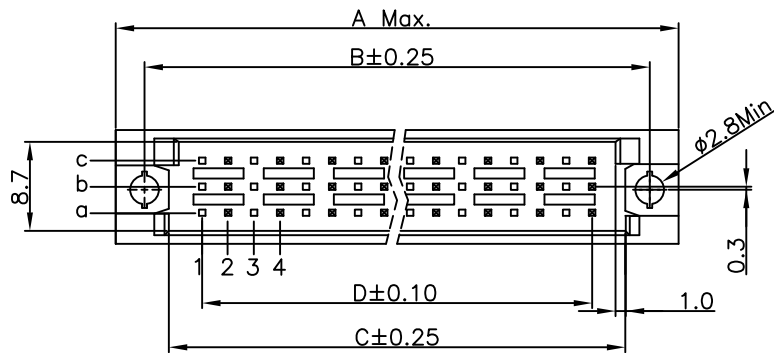


REV.	SPECIFICATION	ECN NO.	APPD.
R3		ECN220502	



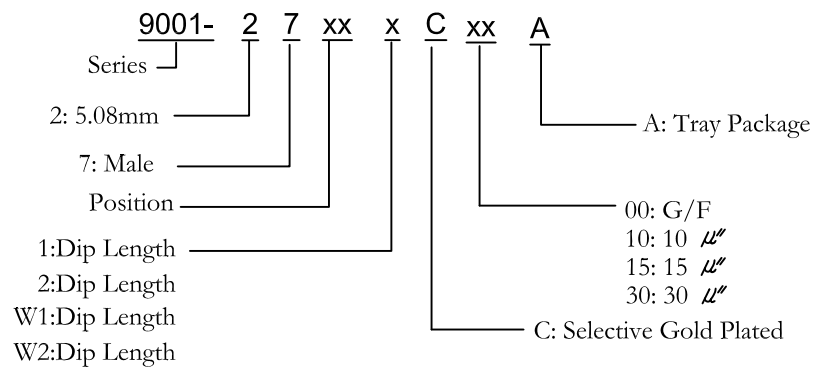
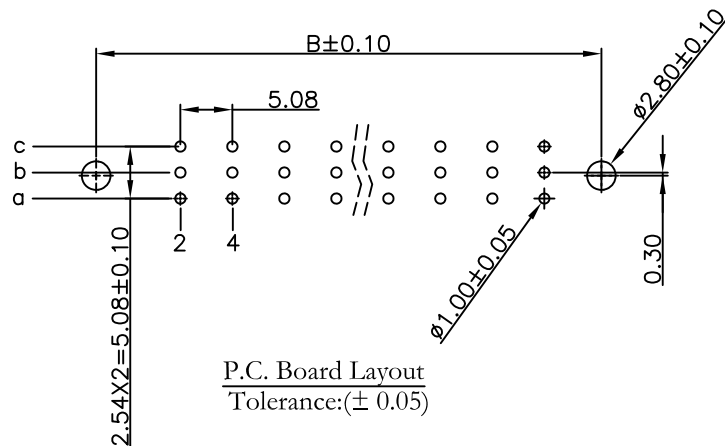
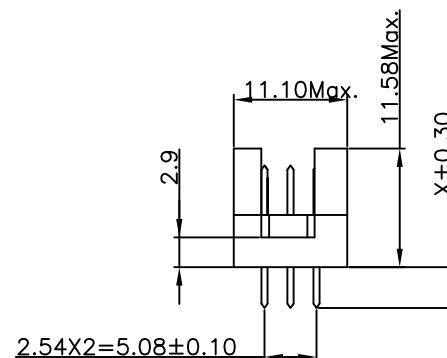
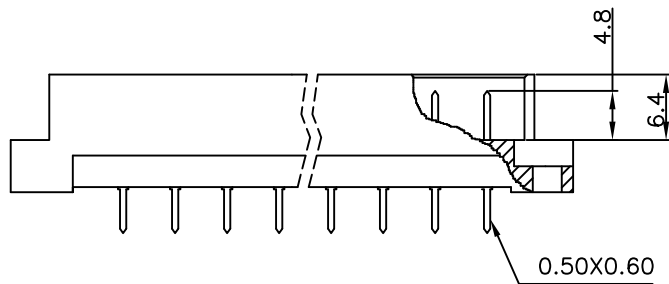
**Material and Plating:**

Housing: PBT,UL94V-0,Beige  
 Contacts: Brass  
 Gold Plated on Contact Area and 80u" Min Tin Plated on Solder Tail over Nickel 50u" Min .

**Electrical Characteristics:**

Current Rating: 2 AMP.  
 Dielectric Withstanding Voltage: AC 1000V For 1 minute.  
 Insulator Resistance: 10<sup>6</sup> MΩ min. at DC 500V.  
 Contact Resistance: 20mΩ max. at DC 100mA.  
 Operating Temperature: -55°C~+125°C .

**\*RoHS Compliant**



length	1	2	W1	W2
X	4.0	2.5	13	17

Dimension				
Position	A	B	C	D
24/16/8	55.0	49.36	44.60	38.10
15/10/5	39.8	34.12	29.36	22.86

Pitch	Position	Rows with Contacts	Contact Arrange
5.08mm	24	a b c	
	16	a - c	
	15	a b c	
	10	a - c	
	8	a - -	
5	a - - -		

Tolerances	Dwg No.	9001D27002
x = ±0.5	Projection	
.x = ±0.25	Unit	mm
.xx = ±0.15	Scale	1:1
	Drawn By	ZY 05/05'22

Title: 9001 Series  
 DIN41612 Half  
 R Type Male

<b>OUPIN</b>			
OUPIN ELECTRONIC(KUNSHAN) CO., LTD.			
P/N: 9001-27xxxCxxA			
SHEET	1/1	Ver.No.	R3