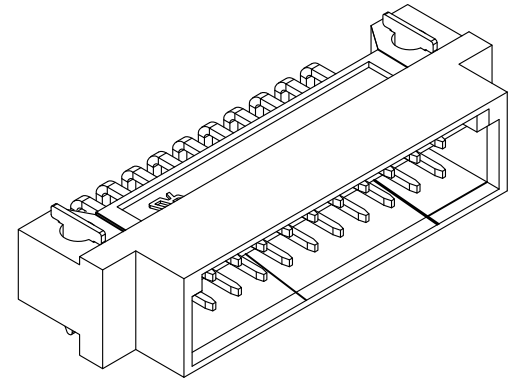
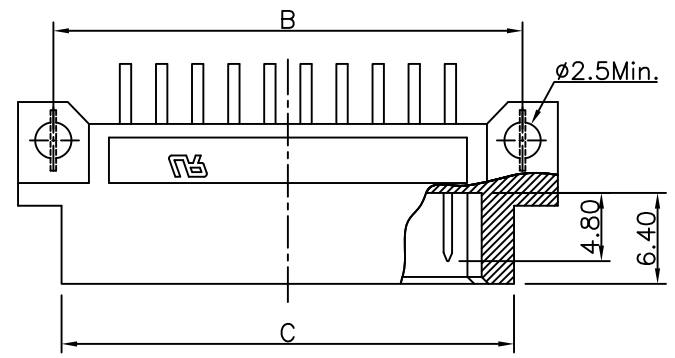


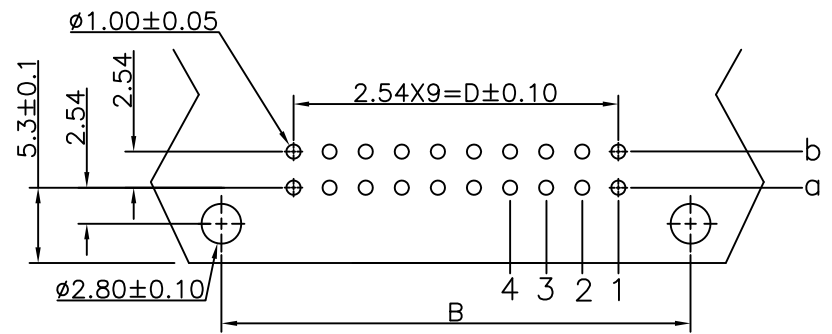
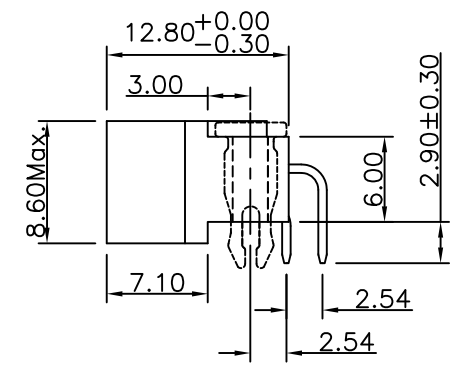
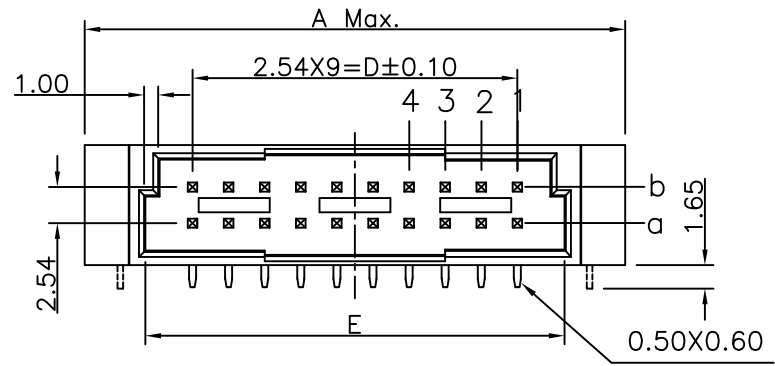
REV.	SPECIFICATION	ECN NO.	APPD.
R3		ECN140544	



Material:
Housing: Thermoplastic Polyester Glass Filled UL94V-0.
Contacts: Copper Alloy.
Lock: Copper Alloy.

Electrical Characteristics:
Current Rating: 2 AMP.
Dielectric Withstanding Voltage: AC 1000V For 1 minute.
Insulator Resistance: 1000MΩ min. at DC 500V.
Contact Resistance: 20mΩ max. at DC 100mA.
Operating Temperature: -55°C ~+125°C .

***RoHS Compliant**



P.C. Board Layout
(Tolerance: ±0.05mm)

9001- 3 5 20 1 C xx x A
Series
3: 2.54mm
5: Male
Position
1: Dip Length
C: Dip Tin Contact Gold
G: Gold

A: Tray Package
Blank: W/O Lock
L1: With Lock

00: G/F
10: 10 μm
15: 15 μm
30: 30 μm

Dimension					
Pin	A	B	C	D	E
20/10	38.04	33.02	31.80	22.86	29.40
9001-35101CxxxA			a -	10	2.54mm
9001-35201CxxxA			a b	20	
P/N	Contact Arrangement	Rows with Contacts	Pin	Pitch	

Tolerances	Dwg. No.	9001D35016	Title:	
x = ±0.5	Projection		9001 Series	
.x = ±0.25	Unit	mm	Scale	1:1
.xx = ±0.15	Drawn By	T T 07/08'14	DIN41612	
			Half B type Male	

9001 Series
DIN41612
Half B type Male

OUPIN
OUPIN ELECTRONIC(KUNSHAN) CO., LTD.
P/N: 9001-35201CxxxA

SHEET	1/1	Ver.No.	R3
-------	-----	---------	----