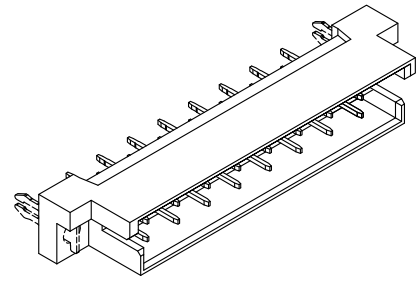
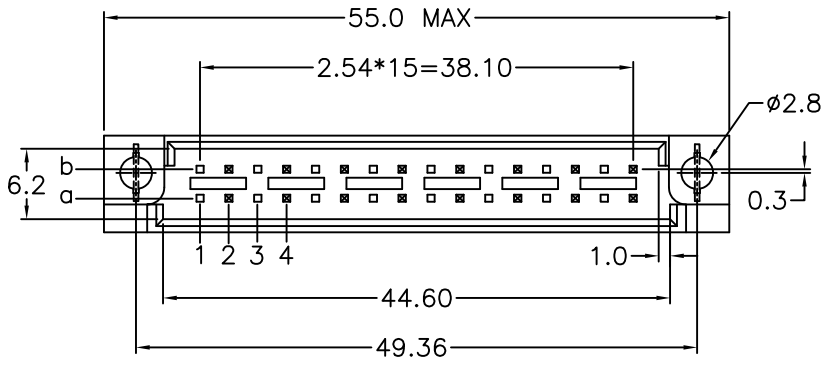


REV.	SPECIFICATION	ECN NO.	APPD.
R1		ECR120338	



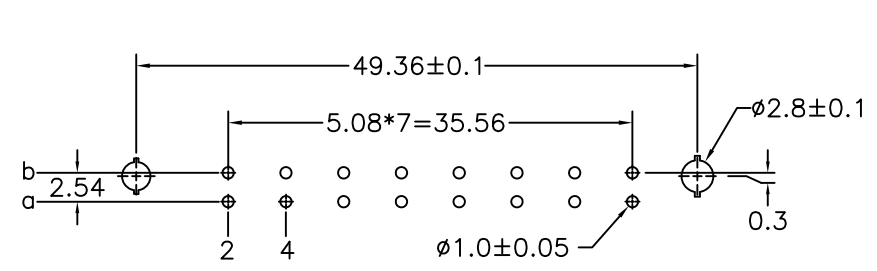
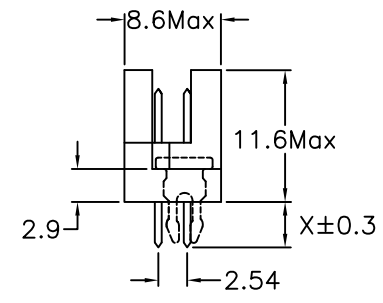
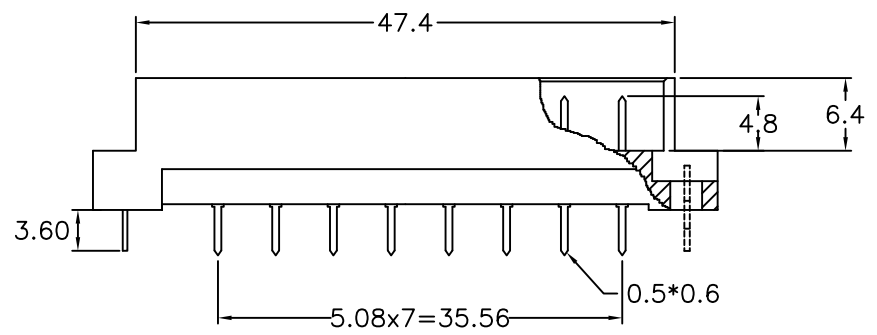
Material:

Housing: Thermoplastic Polyester Glass Filled UL94V-0.
 Contacts: Copper Alloy.
 Lock: Copper Alloy.

Electrical Characteristics:

Current Rating: 2 AMP.
 Dielectric Withstanding Voltage: AC 1000V For 1 minute.
 Insulator Resistance: 1000MΩ min. at DC 500V.
 Contact Resistance: 20mΩ max. at DC 100mA.
 Operating Temperature: -55°C ~+125°C .

***RoHS Compliant**



P.C. Board Layout

- 9001- Series
- 4: 5.08mm
- 7: Male
- xx: Position
- 1: Dip Length
- 2: Dip Length
- W1: Dip Length
- W2: Dip Length
- C: Dip Tin Contact Gold
- xx: Blank
- L1: With Lock
- A: Tray Package
- 00: G/F
- 10: 10 #
- 15: 15 #
- 30: 30 #

Pitch	Position	Rows with Contacts	Contact Arrange	X length			
				1	2	W1	W2
5.08mm	16	a b		4.0	2.5	13	17
	8	a -		P/N			
				9001-4716xC			
				9001-4708xC			

Tolerances	Dwg. No.	9001D47001
x = ±0.5	Projection	
.x = ±0.25	Unit	mm
.xx = ±0.15	Scale	1:1
	Drawn By	XCY04/17'12

Title:
 9001 Series
 DIN41612 Half Q Type Male

OUPIN
 OUPIN ELECTRONIC(KUNSHAN) CO., LTD.
 P/N: 9001-47xx1CxxL1A
 SHEET 1/1 Ver.No. R1