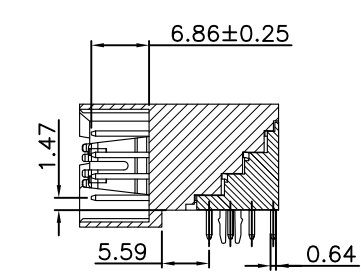
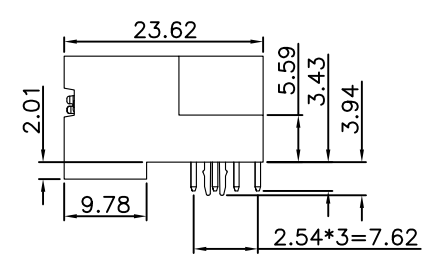
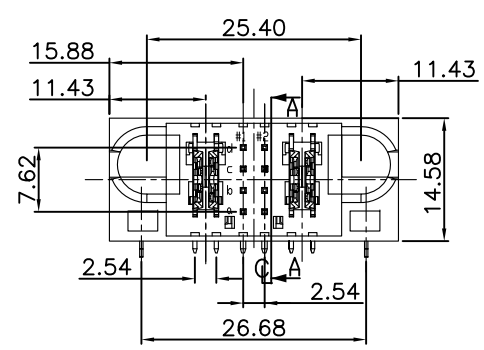
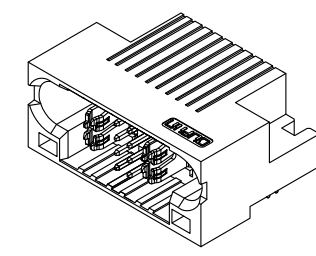
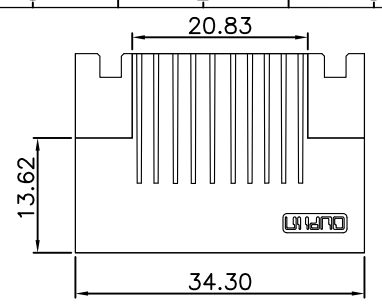
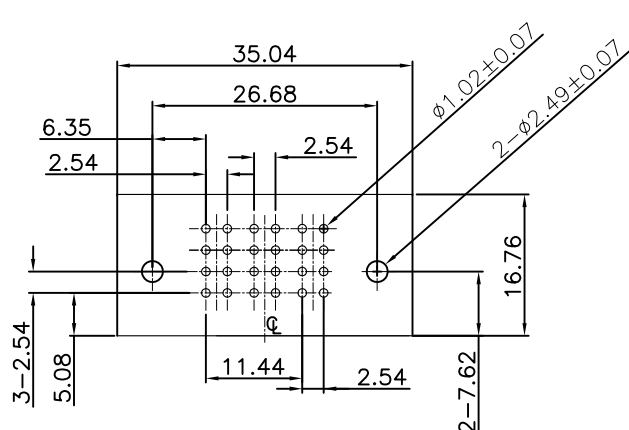


REV.	SPECIFICATION	ECN NO.	APPD.
R6		ECN220821	



Section:A-A  
Scale:1:1



P.C.Board Layout  
(Tolerance:±0.05)

- 9391-A 1 P01 S08 P01 CB 30 D L A
- Series
- 1: Male Right-angle
- Blank:Without Contact
- Power Contact: Hxx, Pxx, Axx
- No. of position
- Blank:Without Contact
- Signal Contact: S xx
- No. of position
- Blank:Without Contact
- Power Contact: Hxx, Pxx, Axx
- No. of position
- A: Tray Package
- Blank: Without Lock
- L: With Lock
- D: Dip Type
- 30: 30u"
- CB: Dip Tin Plated Contact Au+Pd/Ni Plated

**Material and Plating:**

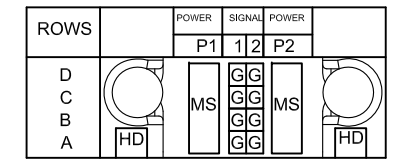
**Housing:** LCP, UL94V-0, BLACK.  
**Power Contacts:** High Conductivity Copper.  
 30u" Au+Pd/Ni on Contact Area and 80u" Min Tin Plated on Solder Tail over Nickel 50u" Min.  
**Signal Contact:** Brass  
 30u" Au+Pd/Ni on Contact Area and 80u" Min Tin Plated on Solder Tail over Nickel 50u" Min.  
 Lock: Phosphor Bronze

**Electrical Characteristics:**

**Current Rating:** Signal Pin 2.5 AMP.  
 Power Pin 30 AMP.  
**Dielectric Withstanding Voltage:**  
 Signal Pin DC 1000V For 1 minute.  
 Power Pin DC 2500V For 1 minute.  
**Insulator Resistance:** Signal Pin 5000MΩ min. at DC 500V.  
 Power Pin 20000MΩ min. at DC 500V.  
**Contact Resistance:** Signal Pin 15mΩ max. at DC 20mA.  
 Power Pin 0.7mΩ max. at DC 20mA.  
**Operating Temperature:** -40°C ~+105°C.

**\*RoHS Compliant**

- Notes 1 :**  
 H: High density Power—PCB Mount 5.08mm Pitch  
 P: DC Power—PCB Mount 6.35mm Pitch  
 A: AC Power—PCB Mount 7.62mm Pitch  
 S: Signal—PCB Mount 2.54mm Pitch
- Notes 2 :**  
 All Pin Contact Length is 6.86mm.



SIGNAL PIN CONTACT LENGTH 4.32mm	H
SIGNAL PIN CONTACT LENGTH 5.59mm	E
SIGNAL PIN CONTACT LENGTH 7.05mm	F
SIGNAL PIN CONTACT LENGTH 6.86mm	G
HOT PLUG POWER CONTACT.STD	MS

Tolerances	Dwg. No.	9391-D0000-100	Title:
x = ±0.5	Projection		9391 Series
.x = ±0.25	Unit	mm	Male Right-angle Dip Type
.xx = ±0.15	Scale	1:1	
	Drawn By	ZY 08/14'22	

**OUPIN**  
**OUPIN ELECTRONIC(KUNSHAN) CO., LTD.**  
 P/N: 9391-A1P01S08P01CB30DLA

SHEET	1/1	Ver. No.	R6
-------	-----	----------	----