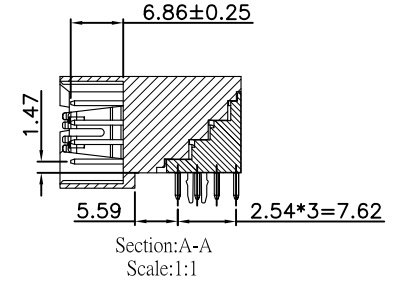
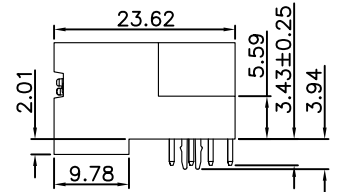
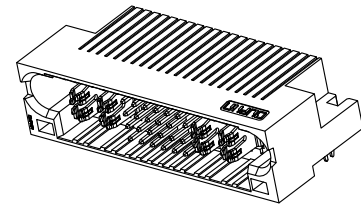
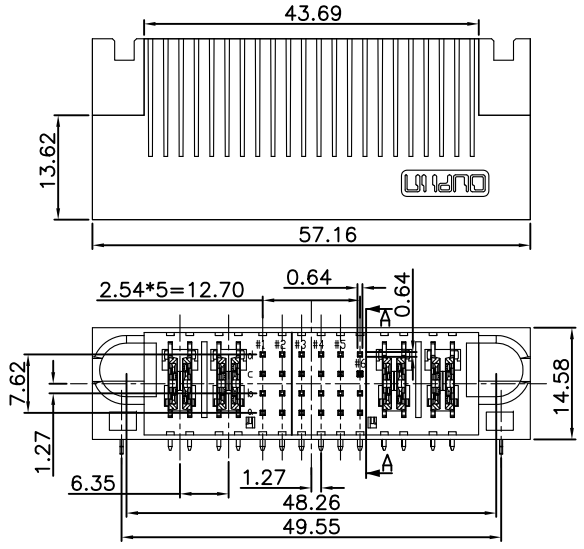


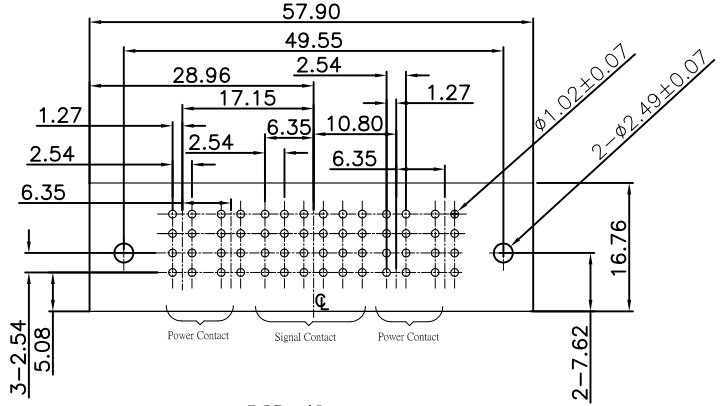
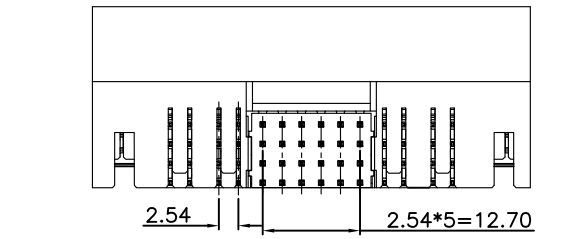
REV.	SPECIFICATION	ECN NO.	APPD.
R5		ECN220821	



Material and Plating:
Housing: LCP, UL94V-0, BLACK.
Power Contacts: High Conductivity Copper.
 30u"Au+Pd/Ni on Contact Area and 80u" Min Tin Plated on Solder Tail over nickel 50u" Min.
Signal Contact: Brass.
 30u"Au+Pd/Ni on Contact Area and 80u" Min Tin Plated on Solder Tail over nickel 50u" Min.
Lock: Phosphor Bronze.

Electrical Characteristics:
Current Rating: Signal Pin 2.5 AMP.
 Power Pin 30 AMP.
Dielectric Withstanding Voltage:
 Signal Pin DC 1000V For 1 minute.
 Power Pin DC 2500V For 1 minute.
Insulator Resistance: Signal Pin 5000MΩ min. at DC 500V.
 Power Pin 2000MΩ min. at DC 500V.
Contact Resistance: Signal Pin 15mΩ max. at DC 20mA.
 Power Pin 0.7mΩ max. at DC 20mA.
Operating Temperature: -40°C ~+105°C .

***RoHS Compliant**
 Notes 1 :
 H: High density Power---PCB Mount 5.08mm Pitch
 P: DC Power---PCB Mount 6.35mm Pitch
 A: AC Power---PCB Mount 7.62mm Pitch
 S: Signal---PCB Mount 2.54mm Pitch
 Notes 2 :
 All Pin Contact Length is 6.86mm.



ROWS	POWER		SIGNAL				POWER			
	P1	P2	1	2	3	4	5	6		P3
D			G	G	G	G	G	G		
C	MS	MS	G	G	G	G	G	G	MS	MS
B			G	G	G	G	G	G		
A	HD		G	G	G	G	G	G		HD

SIGNAL PIN CONTACT LENGTH 4.32mm	H
SIGNAL PIN CONTACT LENGTH 5.59mm	E
SIGNAL PIN CONTACT LENGTH 7.05mm	F
SIGNAL PIN CONTACT LENGTH 6.86mm	G
HOT PLUG POWER CONTACT,STD	MS

9391-A 1 P02 S24 P02 CB 30 D L A -A007
 Series
 1: Male Right-angle
 Blank:Without Contact
 Power Contact:Hxx ,Pxx ,Axx
 No. of position
 Blank:Without Contact
 Signal Contact:S xx
 No. of position
 Internal Code
 A: Tray Package
 Blank: Without Lock
 L: With Lock
 D: Dip Type
 30: 30u"
 CB: Dip Tin Plated Contact Au+Pd/Ni Plated
 Blank:Without Contact
 Power Contact: Hxx ,Pxx ,Axx
 No. of position

Tolerances	Dwg. No.	9391-D0000-049		Title:	
x = ±0.5	Projection	⊕		9391 Series Male Right-angle Dip Type	
.x = ±0.25	Unit	mm	Scale		1:1
.xx = ±0.15	Drawn By	ZY 08/14'22			

OUPIIN
OUPIIN ELECTRONIC(KUNSHAN) CO., LTD.
 P/N:9391-A1P02S24P02CB30DLA-A007

SHEET	1/1	Ver. No.	R5
-------	-----	----------	----