

REV.	SPECIFICATION	ECN NO.	APPD.
R5		ECN201126	

**Material and Plating:**

Housing: LCP, UL94V-0, BLACK.

Power Contacts: High Conductivity Copper.  
30u" Au+Pd/Ni on Contact Area and 80u" Min Tin Plated on Solder Tail over Nickel 50u" Min.

Signal Contact: Brass  
30u" Au+Pd/Ni on Contact Area and 80u" Min Tin Plated on Solder Tail over Nickel 50u" Min.

Lock: Phosphor Bronze

**Electrical Characteristics:**

Current Rating: Signal Pin 2.5 AMP.

Power Pin 30 AMP.

Dielectric Withstanding Voltage:

Signal Pin DC 1000V For 1 minute.

Power Pin DC 2500V For 1 minute.

Insulator Resistance: Signal Pin 5000MΩ min. at DC 500V.

Power Pin 20000MΩ min. at DC 500V.

Contact Resistance: Signal Pin 15mΩ max. at DC 20mA.

Power Pin 0.7mΩ max. at DC 20mA.

Operating Temperature: -40°C ~+105°C .

**\*RoHS Compliant**

Notes 1 :

H: High density Power---PCB Mount 5.08mm Pitch

P: DC Power---PCB Mount 6.35mm Pitch

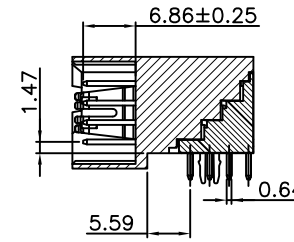
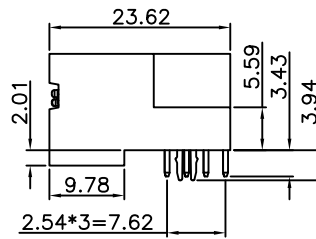
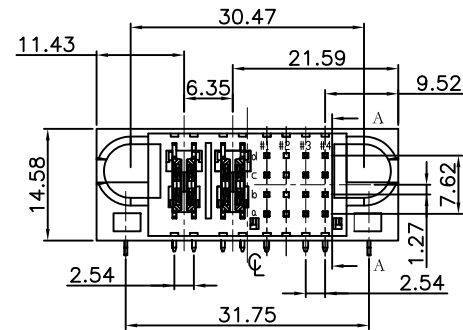
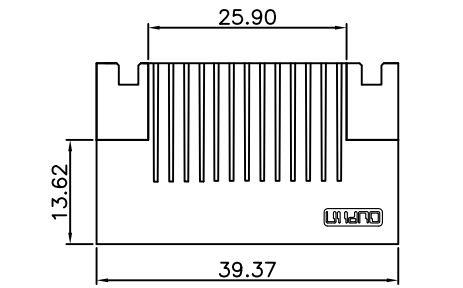
A: AC Power---PCB Mount 7.62mm Pitch

S: Signal---PCB Mount 2.54mm Pitch

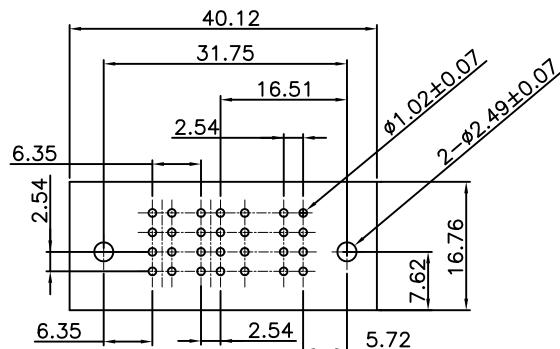
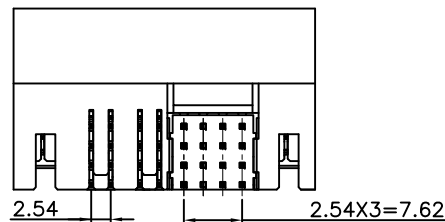
Notes 2 :

a2,b2,c2,d2 Without Contact.

All Pin Contact Length is 6.86mm.



Section:A-A  
Scale:1:1



P.C.Board Layout  
(Tolerance:±0.05)

9391-A 1 P02 S16 CB 30 D L A -A007

Series: 1: Male Right-angle

Blank: Without Contact  
Power Contact: Hxx, Pxx, Axx  
No. of position

Blank: Without Contact  
Signal Contact: Sxx  
No. of position

Internal Code

A: Tray Package

Blank: Without Lock  
L: With Lock

D: Dip Type

30: 30u"

CB: Dip Tin Plated  
Contact Au+Pd/Ni Plated

ROWS	POWER		SIGNAL			
	P1	P2	1	2	3	4
D	HD		G	G	G	G
C	MS	MS	G	G	G	G
B			G	G	G	G
A	HD		G	G	G	HD

SIGNAL PIN CONTACT LENGTH 4.32mm	H
SIGNAL PIN CONTACT LENGTH 5.59mm	E
SIGNAL PIN CONTACT LENGTH 7.05mm	F
SIGNAL PIN CONTACT LENGTH 6.86mm	G
HOT PLUG POWER CONTACT.STD	MS

Tolerances	Dwg. No.	9391-D0000-101	Title:
x = ±0.5	Projection		9391 Series
.x = ±0.25	Unit	mm	Male Right-angle Dip Type
.xx = ±0.15	Scale	1:1	
	Drawn By	XS 07/23'21	

<b>OUPIN</b>			
OUPIN ELECTRONIC(KUNSHAN) CO., LTD.			
P/N: 9391-A1P02S16CB30DLA-A007			
SHEET	1/1	Ver. No.	R5