

REV.	SPECIFICATION	ECN NO.	APPD.
R1		ECN190339	

Material and Plating:

Housing: LCP, UL94V-0, BLACK.

Signal Contacts : Brass

30u"Au+Pd/Ni on Contact Area and 80μ" Min Tin Plated on Solder Tail over Nickel 50μ" Min .

Electrical Characteristics:

Current Rating: Signal Pin 2.5 AMP.

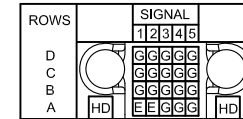
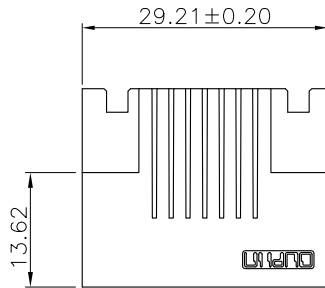
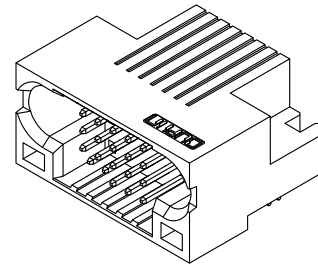
Dielectric Withstanding Voltage: DC 1000V For 1 minute.

Insulator Resistance: 5000MΩ min. at DC 500V.

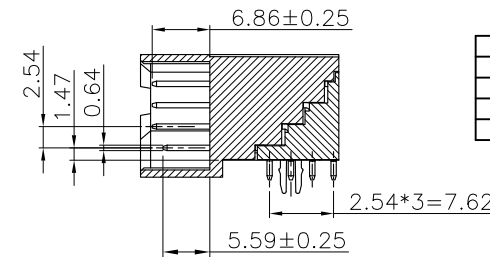
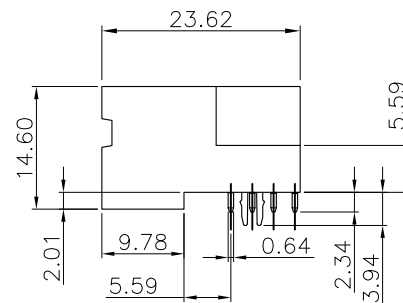
Contact Resistance: 15mΩ max. at DC 20mA.

Operating Temperature: -40°C ~+105°C .

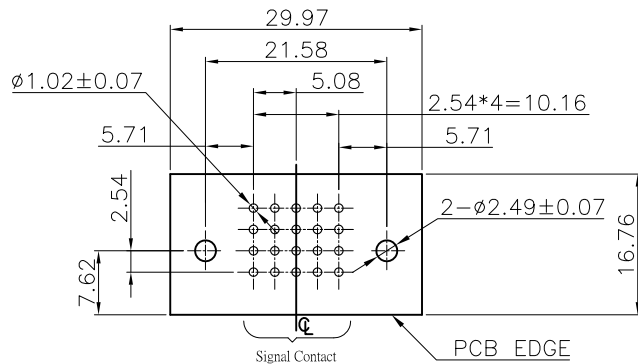
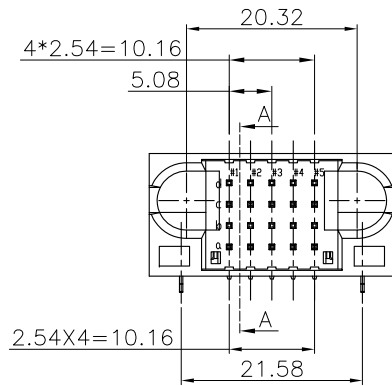
***RoHS Compliant**



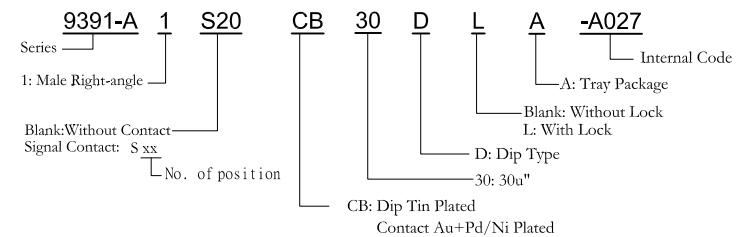
SIGNAL PIN CONTACT LENGTH 4.32mm	H
SIGNAL PIN CONTACT LENGTH 5.59mm	E
SIGNAL PIN CONTACT LENGTH 7.05mm	F
SIGNAL PIN CONTACT LENGTH 6.86mm	G
HOT PLUG POWER CONTACT,STD	MS



Section:A-A
Scale:1:1



P.C.Board Layout
(Tolerance:±0.05)



Tolerances	Dwg. No.	9391-D0000-237	Title:		OUPIIN OUPIIN ELECTRONIC(KUNSHAN) CO., LTD.			
x = ±0.5	Projection		9391 Series Male Right-angle Type					
.x = ±0.25	Unit	mm			Scale	1:1	SHEET	1/1
.xx = ±0.15	Drawn By	dyq 03/16'19						