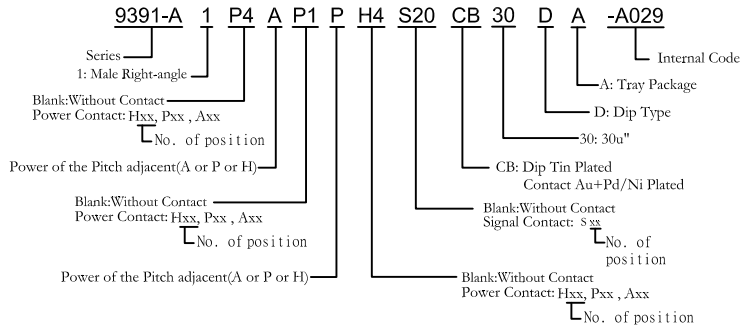
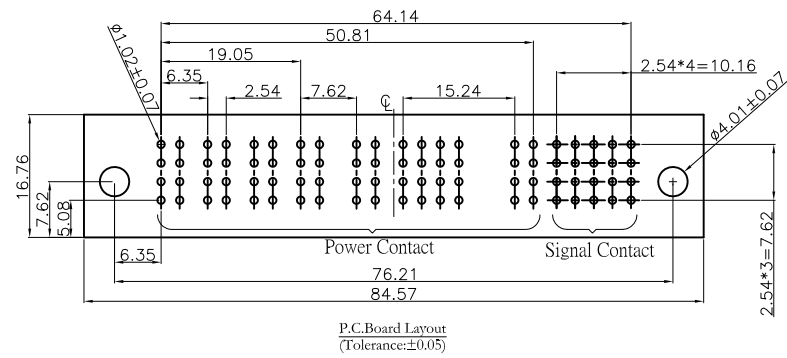
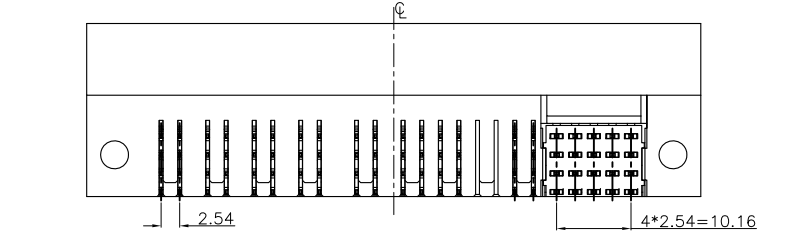


Section:A-A
Scale:1:1



REV.	SPECIFICATION	ECN NO.	APPD.
R1		ECN191212	

Material and Plating:
Housing: LCP, UL94V-0, BLACK.
Power Contacts: High Conductivity Copper.
30u" Au+Pd/Ni on Contact Area and 80u" Min Tin Plated on Solder Tail over Nickel 50u" Min .
Signal Contacts :Brass
30u" Au+Pd/Ni on Contact Area and 80u" Min Tin Plated on Solder Tail over Nickel 50u" Min .

Electrical Characteristics:
Current Rating: Signal Pin 2.5 AMP.
Power Pin 30 AMP.
Dielectric Withstanding Voltage:
Signal Pin DC 1000V For 1 minute.
Power Pin DC 2500V For 1 minute.
Insulator Resistance: Signal Pin 500MΩ min. at DC 500V.
Power Pin 10000MΩ min. at DC 500V.
Contact Resistance: Signal Pin 20mΩ max. at DC 20mA.
Power Pin 0.7mΩ max. at DC 20mA.

***RoHS Compliant**
Notes 1:
H: High density Power---PCB Mount 5.08mm Pitch
P: DC Power---PCB Mount 6.35mm Pitch
A: AC Power---PCB Mount 7.62mm Pitch
S: Signal---PCB Mount 2.54mm Pitch
Notes 2:
D1 Contact Length is 5.59mm.
Other Pin Contact Length is 6.86mm.
P8 Without Contact.

ROWS	POWER									SIGNAL				
	P1	P2	P3	P4	P5	P6	P7	P8	P9	1	2	3	4	5
D										E	G	G	G	G
C	MS	MS	MS	MS	MS	MS	MS	MS	MS	G	G	G	G	G
B										G	G	G	G	G
A										G	G	G	G	G

SIGNAL PIN CONTACT LENGTH 4.32mm	H
SIGNAL PIN CONTACT LENGTH 5.59mm	E
SIGNAL PIN CONTACT LENGTH 7.05mm	F
SIGNAL PIN CONTACT LENGTH 6.86mm	G
HOT PLUG POWER CONTACT.STD	MS

Tolerances	Dwg. No.	9391-D0000-245	Title:	9391 Series
x = ±0.5	Projection		Male Right-angle Dip Type	
.x = ±0.25	Unit	mm		
.xx = ±0.15	Scale	1:1		
	Drawn By	bo-min 12/05'19		

Title:				9391 Series
				Male Right-angle Dip Type

OUPIN			
OUPIN ELECTRONIC(KUNSHAN) CO., LTD.			
P/N: 9391-A1P4AP1PH4S20CB30DA-A029			
SHEET	1/1	Ver. No.	R1