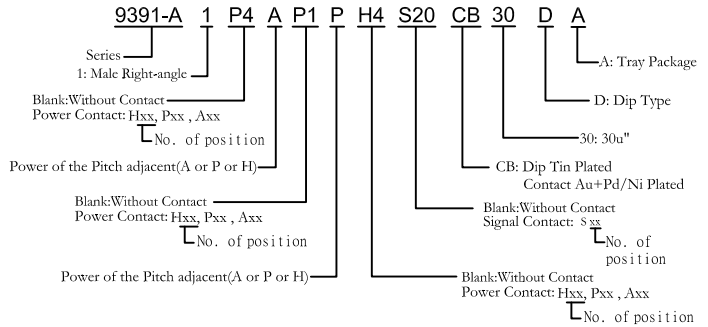
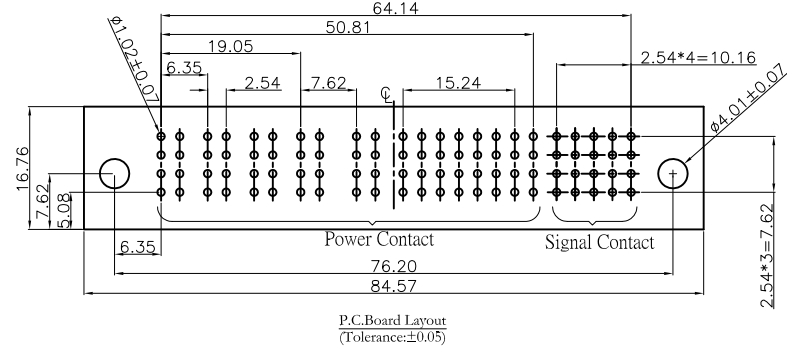
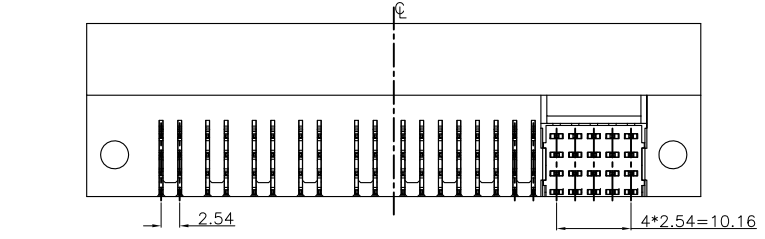


Section:A-A
Scale:1:1



REV.	SPECIFICATION	ECN NO.	APPD.
X5			

Material and Plating:
Housing: LCP, UL94V-0, BLACK.
Power Contacts: High Conductivity Copper.
30u"Au+Pd/Ni on Contact Area and 80u" Min Tin Plated on Solder Tail over Nickel 50u" Min .
Signal Contacts : Brass
30u"Au+Pd/Ni on Contact Area and 80u" Min Tin Plated on Solder Tail over Nickel 50u" Min .

Electrical Characteristics:
Current Rating: Signal Pin 2.5 AMP.
Power Pin 30 AMP.
Dielectric Withstanding Voltage:
Signal Pin DC 1000V For 1 minute.
Power Pin DC 2500V For 1 minute.
Insulator Resistance: Signal Pin 5000MΩ min. at DC 500V.
Power Pin 2000MΩ min. at DC 500V.
Contact Resistance: Signal Pin 15mΩ max. at DC 20mA.
Power Pin 0.7mΩ max. at DC 20mA.
Operating Temperature: -40°C ~+105°C .

***RoHS Compliant**
Notes :
H: High density Power---PCB Mount 5.08mm Pitch
P: DC Power---PCB Mount 6.35mm Pitch
A: AC Power---PCB Mount 7.62mm Pitch
S: Signal---PCB Mount 2.54mm Pitch

ROWS	POWER								SIGNAL					
	P1	P2	P3	P4	P5	P6	P7	P8	P9	1	2	3	4	5
D										GG	GG	GG	GG	GG
C										GG	GG	GG	GG	GG
B										GG	GG	GG	GG	GG
A	HD									GG	GG	GG	GG	GG

SIGNAL PIN CONTACT LENGTH 4.32mm	H
SIGNAL PIN CONTACT LENGTH 5.59mm	E
SIGNAL PIN CONTACT LENGTH 7.05mm	F
SIGNAL PIN CONTACT LENGTH 6.86mm	G
HOT PLUG POWER CONTACT.STD	MS

PROPOSAL ONLY

Tolerances	Dwg. No.	9391-D0000-199
x = ±0.5	Projection	
.x = ±0.25	Unit	mm
.xx = ±0.15	Scale	1:1
	Drawn By	LQ 07/07'17

Title:
9391 Series High Power
Plug Right-angle
Dip Type

OUPIN ELECTRONIC(KUNSHAN) CO., LTD.			
P/N: 9391-A1P4AP1PH4S20CB30DA			
SHEET	1/1	Ver. No.	X5