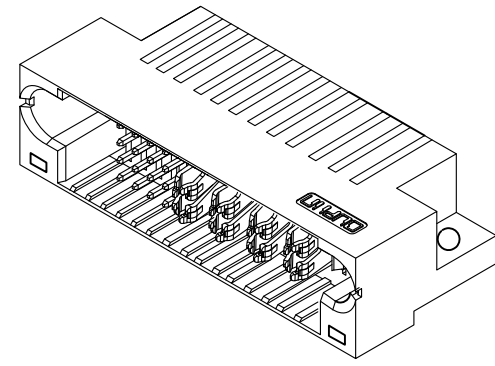
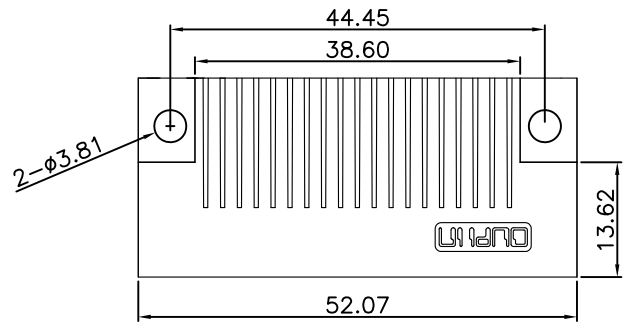


| | | | |
|------|---------------|-----------|-------|
| REV. | SPECIFICATION | ECN NO. | APPD. |
| R3 | | ECN201126 | |



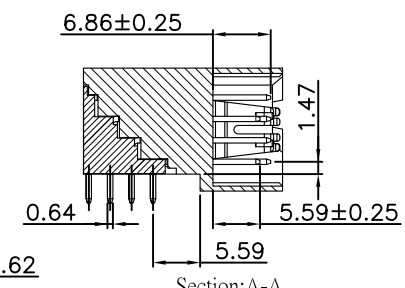
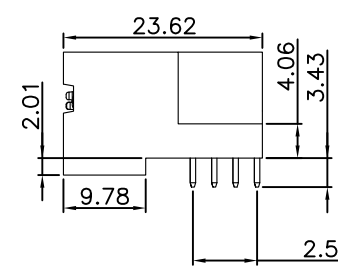
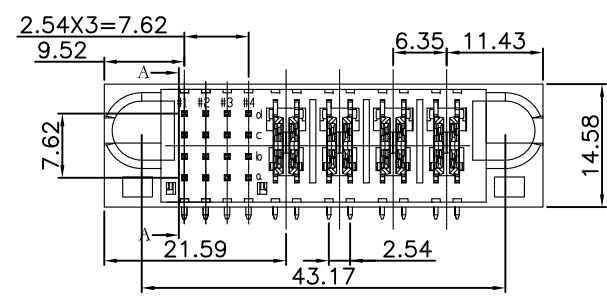
Material and Plating:
Housing: LCP, UL94V-0, BLACK.
Power Contacts: High Conductivity Copper.
 30u" Au+Pd/Ni on Contact Area and 80u" Min Tin Plated on Solder Tail over Nickel 50u" Min.
Signal Contact: Brass
 30u" Au+Pd/Ni on Contact Area and 80u" Min Tin Plated on Solder Tail over Nickel 50u" Min.

Electrical Characteristics:
Current Rating: Signal Pin 2.5 AMP.
 Power Pin 30 AMP.
Dielectric Withstanding Voltage:
 Signal Pin DC 1000V For 1 minute.
 Power Pin DC 2500V For 1 minute.
Insulator Resistance: Signal Pin 5000MΩ min. at DC 500V.
 Power Pin 20000MΩ min. at DC 500V.
Contact Resistance: Signal Pin 15mΩ max. at DC 20mA.
 Power Pin 0.7mΩ max. at DC 20mA.
Operating Temperature: -40°C ~+105°C.

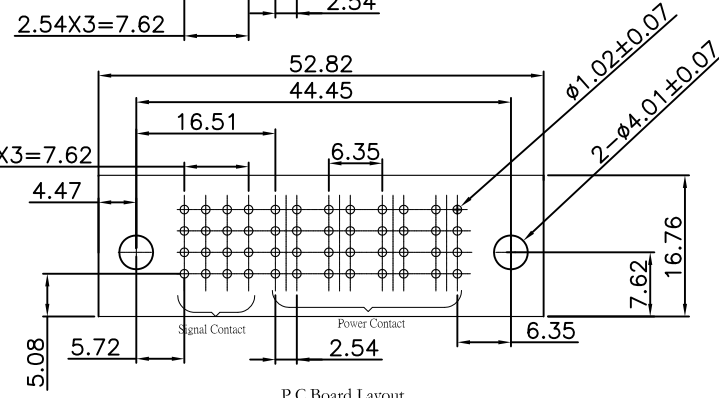
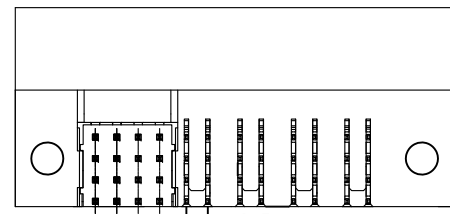
***RoHS Compliant**

Notes 1 :
 H: High density Power---PCB Mount 5.08mm Pitch
 P: DC Power---PCB Mount 6.35mm Pitch
 A: AC Power---PCB Mount 7.62mm Pitch
 S: Signal---PCB Mount 2.54mm Pitch

Notes 2 :
 A1, C4 Contact Length is 5.59mm.
 Other Pin Contact Length is 6.86mm.



Section:A-A
Scale:1:1



P.C.Board Layout
(Tolerance:±0.05)

9391-A 1 S16 P04 CB 30 D A -A008
 Series 1: Male Right-angle
 Blank: Without Contact
 Signal Contact: Sxx
 No. of position
 Blank: Without Contact
 Power Contact: Hx, Px, Ax
 No. of position
 Internal Code
 A: Tray Package
 D: Dip Type
 30: 30u"
 CB: Dip Tin Plated
 Contact Au+Pd/Ni Plated

| ROWS | SIGNAL | | | | POWER | | | |
|------|--------|---|---|---|-------|----|----|----|
| | 1 | 2 | 3 | 4 | P1 | P2 | P3 | P4 |
| D | G | G | G | G | MS | MS | MS | MS |
| C | G | G | G | G | MS | MS | MS | MS |
| B | G | G | G | G | MS | MS | MS | MS |
| A | H | D | E | G | MS | MS | MS | MS |

| | |
|----------------------------------|----|
| SIGNAL PIN CONTACT LENGTH 4.32mm | H |
| SIGNAL PIN CONTACT LENGTH 5.59mm | E |
| SIGNAL PIN CONTACT LENGTH 7.05mm | F |
| SIGNAL PIN CONTACT LENGTH 6.86mm | G |
| HOT PLUG POWER CONTACT.STD | MS |

| | | | | | |
|-------------|------------|----------------|-------|--|-----|
| Tolerances | Dwg. No. | 9391-D0000-105 | | Title: | |
| x = ±0.5 | Projection | ⊕ | | 9391 Series High Power Plug Right-angle Dip Type | |
| .x = ±0.25 | Unit | mm | Scale | | 1:1 |
| .xx = ±0.15 | Drawn By | XS 06/11'21 | | | |

| | | | |
|-------------------------------------|-----|----------|----|
| OUPIN | | | |
| OUPIN ELECTRONIC(KUNSHAN) CO., LTD. | | | |
| P/N: 9391-A1S16P04CB30DA-A008 | | | |
| SHEET | 1/1 | Ver. No. | R3 |