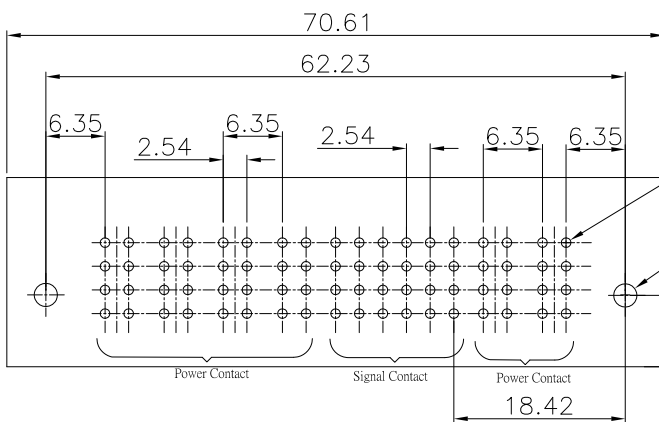
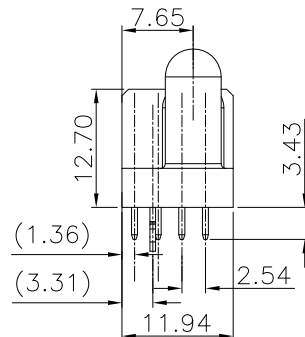
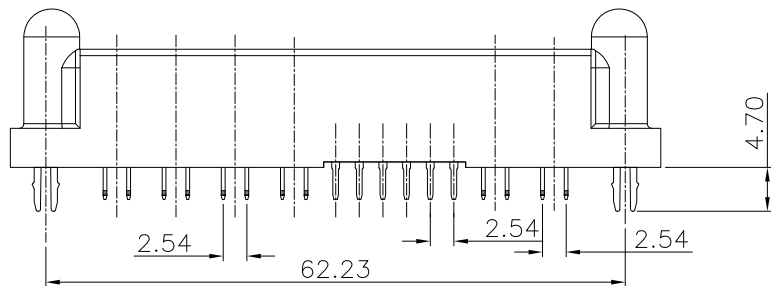
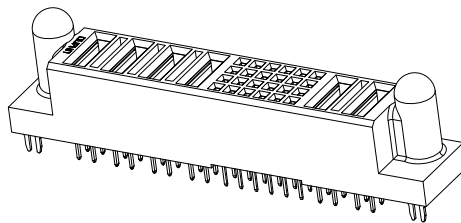
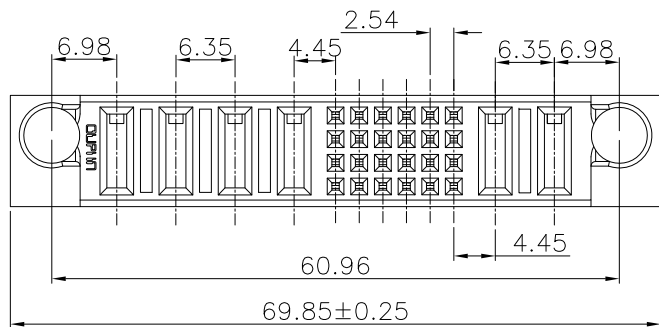


REV.	SPECIFICATION	ECN NO.	APPD.
R3		ECN230417	



P.C.Board Layout
(Tolerance:±0.05)

- Series: 9391-A 2 P04 S24 P02 CB 30 D L A
- 2: Female Straight
 - Blank: Without Contact
 - Power Contact: Hxx, Pxx, Axx
 - No. of position
 - Blank: Without Contact
 - Signal Contact: S xx
 - No. of position
 - Blank: Without Contact
 - Power Contact: Hxx, Pxx, Axx
 - No. of position
 - A: Tray Package
 - L: With Lock
 - Blank: Without Lock
 - D: Dip Type
 - 30: 30u"
 - CB: Dip Tin Plated
 - Contact Au+Pd/Ni Plated

Material and Plating:

Housing: LCP, UL94V-0, Black .
Power Contacts: High Conductivity Copper.
 30u"Au+Pd/Ni on Contact Area and 80u" Min Tin Plated on Solder Tail over nickel 50u" Min under plated .
Signal Contacts : Phosphor Bronze.
 30u"Au+Pd/Ni on Contact Area and 80u" Min Tin Plated on Solder Tail over nickel 50u" Min under plated .
Lock: Phosphor Bronze.

Electrical Characteristics:

Current Rating: Signal Pin 2.5 AMP.
 Power Pin 30 AMP.
Dielectric Withstanding Voltage:
 Signal Pin DC 1000V For 1 minute.
 Power Pin DC 2500V For 1 minute.
Insulator Resistance: Signal Pin 5000MΩ min. at DC 500V.
 Power Pin 20000MΩ min. at DC 500V.
Contact Resistance: Signal Pin 15mΩ max. at DC 20mA.
 Power Pin 0.7mΩ max. at DC 20mA.
Operating Temperature: -40°C ~+105°C .

***RoHS Compliant**

Notes :

- H: High density Power---PCB Mount 5.08mm Pitch
- P: DC Power---PCB Mount 6.35mm Pitch
- A: AC Power---PCB Mount 7.62mm Pitch
- S: Signal---PCB Mount 2.54mm Pitch

ROWS	HD	POWER				SIGNAL				POWER		HD				
		P6	P5	P4	P3	6	5	4	3	2	1		P2	P1		
D		FS	FS	FS	FS	L	L	L	L	L	L	L	L	FS	FS	
C																
B																
A																

POWER CONTACT TO THE TOP DISTANCE 2.34mm, THE MATING LENGTH 3.87mm	FM
POWER CONTACT TO THE TOP DISTANCE 1.07mm, THE MATING LENGTH 5.14mm	FS
SIGNAL CONTACT 3.43 SOLDER TAIL, PD/Ni	L

Tolerances	Dwg. No.	9391-D0000-058		Title:	
x = ±0.5	Projection			9391 Series Female Straight Dip Type	
.x = ±0.25	Unit	mm	Scale		1:1
.xx = ±0.15	Drawn By	XS 04/12'23			

OUPIN			
OUPIN ELECTRONIC(KUNSHAN) CO., LTD.			
P/N: 9391-A2P04S24P02CB30DLA			
SHEET	1/1	Ver. No.	R3