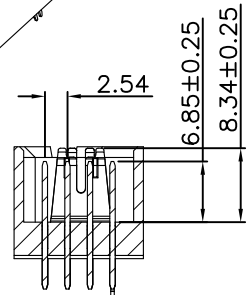
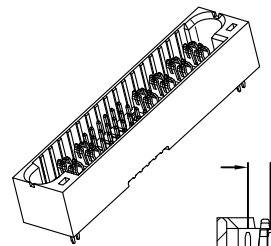
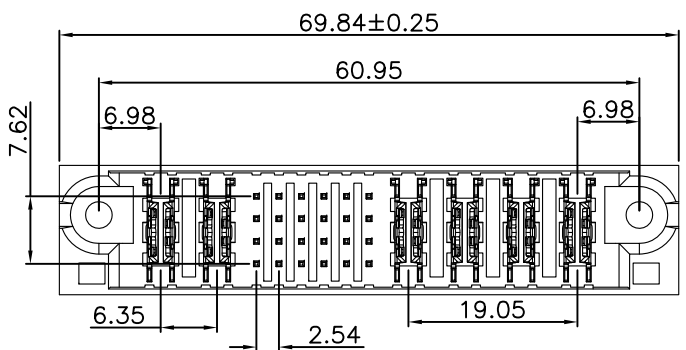


REV.	SPECIFICATION	ECN NO.	APPD.
R4		ECN220529	



Section: A-A  
Scale: 1 : 1

**Material and Plating:**

Housing: LCP, UL94V-0, BLACK.  
 Power Contacts: High Conductivity Copper.  
 30u"Au+Pd/Ni on Contact Area and 80u" Min Tin Plated on Solder Tail over nickel 50u" Min.  
 Signal Contact: Brass.  
 30u"Au+Pd/Ni on Contact Area and 80u" Min Tin Plated on Solder Tail over nickel 50u" Min.  
 Lock: Phosphor Bronze.

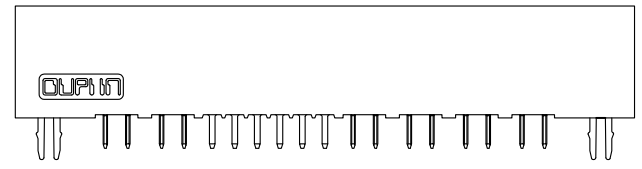
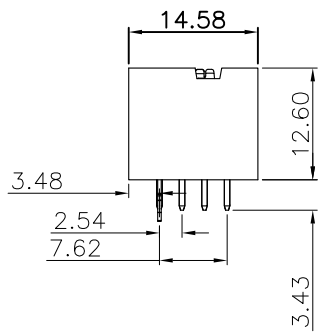
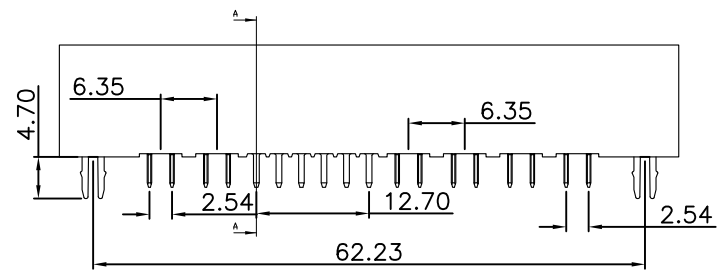
**Electrical Characteristics:**

Current Rating: Signal Pin 2.5 AMP.  
 Power Pin 30 AMP.  
 Dielectric Withstanding Voltage:  
 Signal Pin DC 1000V For 1 minute.  
 Power Pin DC 2500V For 1 minute.  
 Insulator Resistance: Signal Pin 5000MΩ min. at DC 500V.  
 Power Pin 2000MΩ min. at DC 500V.  
 Contact Resistance: Signal Pin 15mΩ max. at DC 20mA.  
 Power Pin 0.7mΩ max. at DC 20mA.  
 Operating Temperature: -40°C ~+105°C.

**\*RoHS Compliant**

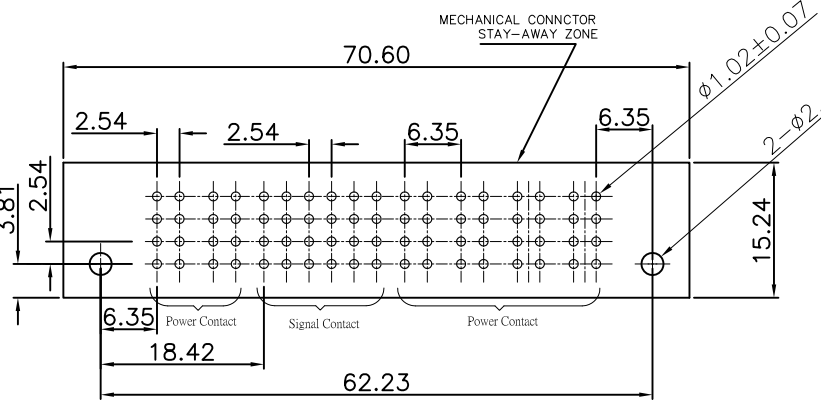
Notes 1:

- H: High density Power--PCB Mount 5.08mm Pitch
- P: DC Power--PCB Mount 6.35mm Pitch
- A: AC Power--PCB Mount 7.62mm Pitch
- S: Signal--PCB Mount 2.54mm Pitch



ROWS	POWER		SIGNAL				POWER						
	P1	P2	1	2	3	4	5	6	P3	P4		P5	P6
D			G	G	G	G	G	G					
C			G	G	G	G	G	G					
B			G	G	G	G	G	G					
A	HD		G	G	G	G	G	G					HD

SIGNAL PIN CONTACT LENGTH 4.32mm	H
SIGNAL PIN CONTACT LENGTH 5.59mm	E
SIGNAL PIN CONTACT LENGTH 7.05mm	F
SIGNAL PIN CONTACT LENGTH 6.86mm	G
HOT PLUG POWER CONTACT.STD	MS



P.C.Board Layout  
(Tolerance:±0.05)

Series: 9391-A 3 P02 S24 P04 CB 30 D L A  
 3: Male Straight  
 Blank: Without Contact  
 Power Contact: Hxx, Pxx, Axx  
 No. of position  
 Blank: Without Contact  
 Signal Contact: S xx  
 No. of position  
 A: Tray Package  
 L: With Lock  
 Blank: Without Lock  
 D: Dip Type  
 30: 30u"  
 CB: Dip Tin Plated  
 Contact Au+Pd/Ni Plated  
 Blank: Without Contact  
 Power Contact: Hxx, Pxx, Axx  
 No. of position

Tolerances	Dwg. No.	9391-D0000-057	Title:
x = ±0.5	Projection		9391 Series
.x = ±0.25	Unit	mm	Male Straight Dip Type
.xx = ±0.15	Scale	1:1	
	Drawn By	XS 05/12'22	

<b>OUPIN</b>			
OUPIN ELECTRONIC(KUNSHAN) CO., LTD.			
P/N: 9391-A3P02S24P04CB30DLA			
SHEET	1/1	Ver. No.	R4