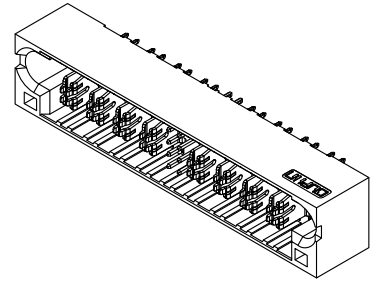


REV.	SPECIFICATION	ECN NO.	APPD.
R1		ECN210543	



Material and Plating:
Housing: LCP, UL94V-0, BLACK.
Power Contacts: High Conductivity Copper.
30u" Au+Pd/Ni on Contact Area and 80u" Min Tin Plated on Press Fit over nickel 50u" Min .
Signal Contacts :Brass.
30u" Au+Pd/Ni on Contact Area and 80u" Min Tin Plated on Press Fit over nickel 50u" Min .

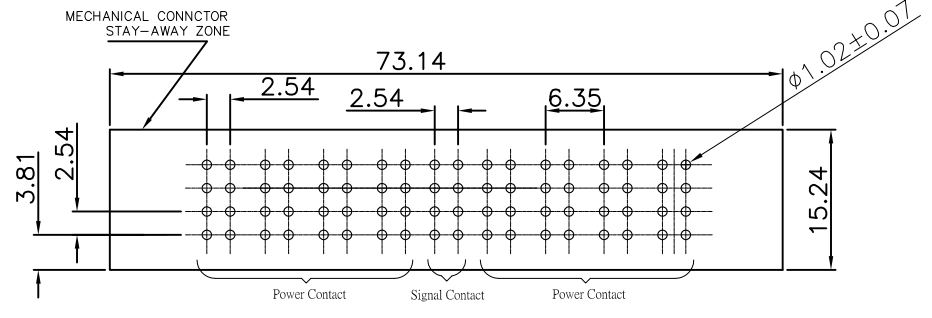
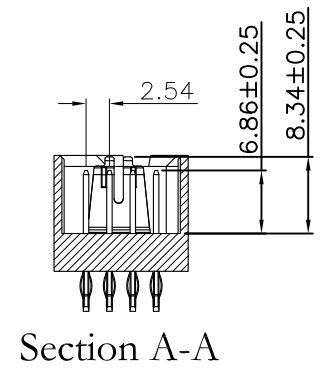
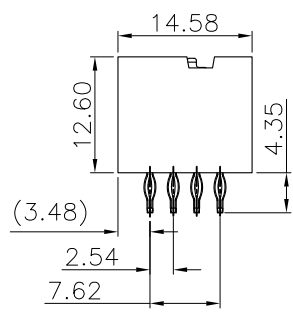
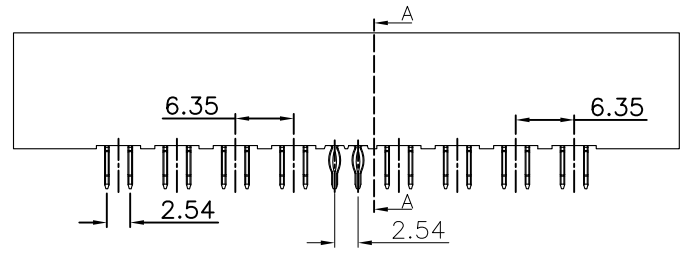
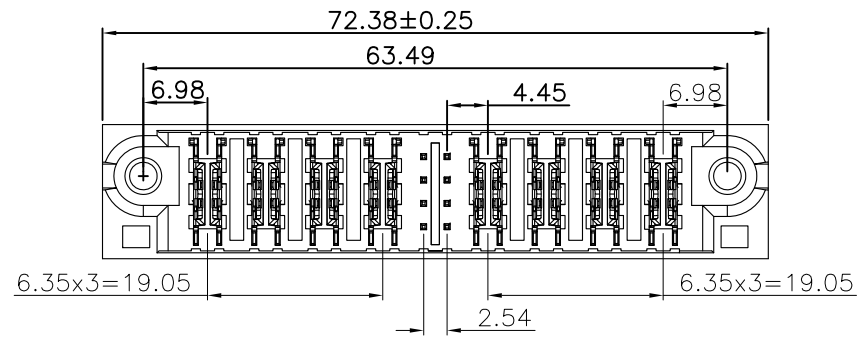
Electrical Characteristics:
Current Rating: Signal Pin 2.5 AMP.
Power Pin 30 AMP.
Dielectric Withstanding Voltage:
Signal Pin DC 1000V For 1 minute.
Power Pin DC 2500V For 1 minute.
Insulator Resistance: Signal Pin 5000M Ω min. at DC 500V.
Power Pin 20000M Ω min. at DC 500V.
Contact Resistance: Signal Pin 15m Ω max. at DC 20mA.
Power Pin 0.7m Ω max. at DC 20mA.
Operating Temperature: -40°C ~+105°C .

***RoHS Compliant**

Notes 1 :
H: High density Power---PCB Mount 5.08mm Pitch
P: DC Power---PCB Mount 6.35mm Pitch
A: AC Power---PCB Mount 7.62mm Pitch
S: Signal---PCB Mount 2.54mm Pitch

ROWS	POWER				SIGNAL		POWER			
	P1	P2	P3	P4	1	2	P5	P6	P7	P8
D	MS	MS	MS	MS	GG	GG	MS	MS	MS	MS
C					GG	GG				
B					GG	GG				
A					GG	GG				

SIGNAL PIN CONTACT LENGTH 4.32mm	H
SIGNAL PIN CONTACT LENGTH 5.59mm	E
SIGNAL PIN CONTACT LENGTH 7.05mm	F
SIGNAL PIN CONTACT LENGTH 6.86mm	G
HOT PLUG POWER CONTACT.STD	MS



P.C.Board Layout
(Tolerance:±0.05)

9391-A 3 P04 S08 P04 CB 30 P A

Series: 3: Male Straight
Blank: Without Contact
Power Contact: Hxx, Pxx, Ass
No. of position
Blank: Without Contact
Signal Contact: Sxx
No. of position

A: Tray Package
P: Press Fit Type
30: 30u"
CB: Dip Tin Plated Contact Au+Pd/Ni Plated
Blank: Without Contact
Power Contact: Hxx, Pxx, Ass
No. of position

Tolerances	Dwg. No.	9391-D0000-248	Title:
x = ±0.5	Projection		9391 Series
.x = ±0.25	Unit	mm	Male Straight Press Fit Type
.xx = ±0.15	Scale	1:1	
	Drawn By	WP 06/25'21	

OUPIN			
OUPIN ELECTRONIC(KUNSHAN) CO., LTD.			
P/N: 9391-A3P04S08P04CB30PA			
SHEET	1/1	Ver. No.	R1