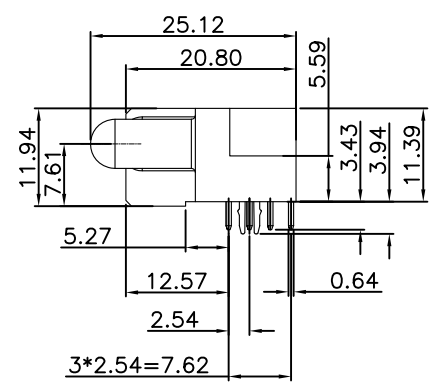
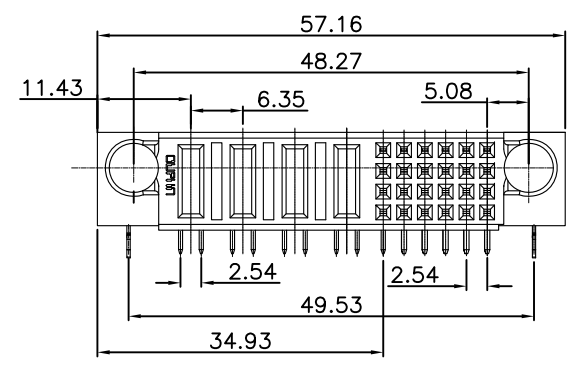
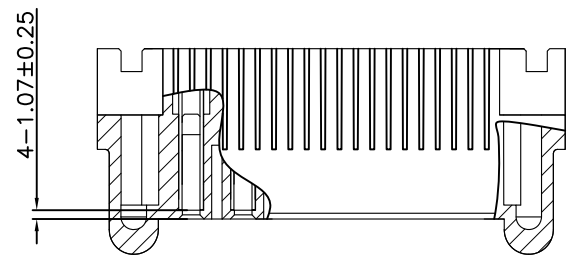


REV.	SPECIFICATION	ECN NO.	APPD.
R3		ECN170424	



Material:
Housing: High Temperature Plastic UL94V-0 .
Contacts: Copper Alloy.
Lock: Copper Alloy

Electrical Characteristics:
Current Rating: Signal Pin 2.5 AMP.
Power Pin 30 AMP.

Dielectric Withstanding Voltage: Signal Pin DC 1000V For 1 minute.
Power Pin DC 2500V For 1 minute.

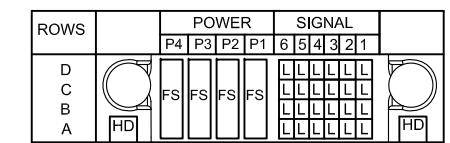
Insulator Resistance: Signal Pin 5000MΩ min. at DC 500V.
Power Pin 20000MΩ min. at DC 500V.

Contact Resistance: Signal Pin 15mΩ max. at DC 20mA.
Power Pin 0.7mΩ max. at DC 20mA.

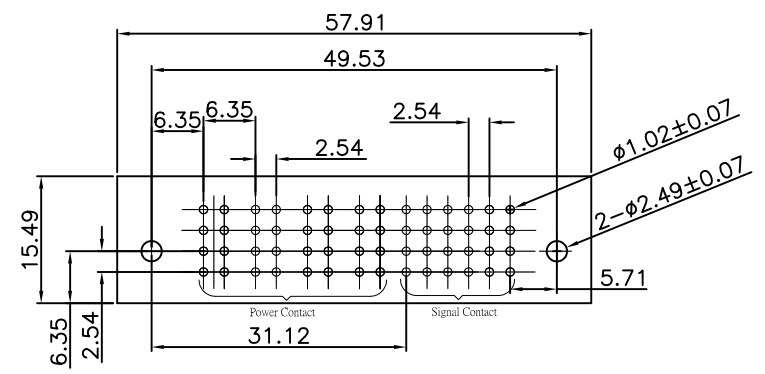
Operating Temperature: -40°C ~+105°C .

***RoHS Compliant**

Notes :
H: High density Power---PCB Mount 5.08mm Pitch
P: DC Power---PCB Mount 6.35mm Pitch
A: AC Power---PCB Mount 7.62mm Pitch
S: Signal---PCB Mount 2.54mm Pitch



POWER CONTACT TO THE TOP DISTANCE 2.34mm, THE MATING LENGTH 4.06mm	FM
POWER CONTACT TO THE TOP DISTANCE 1.07mm, THE MATING LENGTH 5.33mm	FS
SIGNAL CONTACT 3.43 SOLDER TAIL, PD/NI	L



P.C.Board Layout
(Tolerance:±0.05)

9391-A 4 P04 S24 Cxx D L A
Series 4: Femla Right-angle P: Power Contact: Hxx, Pxx, Axx No. of position L: With Lock A: Tray Package
Blank: Without Contact D: Dip Type
Signal Contact: S xx C05: Selective Gold Plated 05: 05u"
CB30: Dip Tin Plated Contact Au+Pd/Ni Plated 30: 30u"

Tolerances	Dwg. No.	9391-D0000-089	Title:		 OUPIN ELECTRONIC(KUNSHAN) CO., LTD. P/N: 9391-A4P04S24CxxDLA			
x = ±0.5	Projection		9391 Series Female Right-angle Dip Type					
.x = ±0.25	Unit	mm	Scale	1:1	SHEET	1/1	Ver. No.	R3
.xx = ±0.15	Drawn By	LQ 04/17'17						