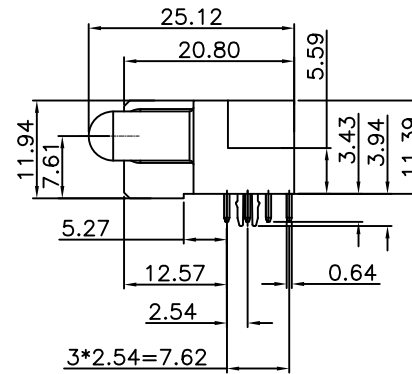
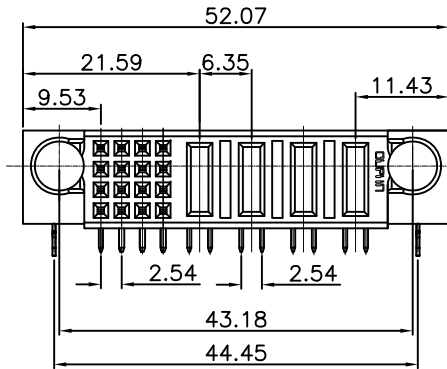
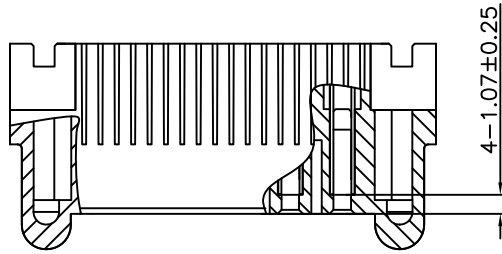


| | | | |
|------|---------------|-----------|-------|
| REV. | SPECIFICATION | ECN NO. | APPD. |
| R2 | | ECN160452 | |



Material:

Housing: High Temperature Plastic UL94V-0.
Contacts: Copper Alloy.
Lock: Copper Alloy

Electrical Characteristics:

Current Rating: Signal Pin 2.5 AMP.
Power Pin 30 AMP.

Dielectric Withstanding Voltage: Signal Pin DC 1000V For 1 minute.
Power Pin DC 2500V For 1 minute.

Insulator Resistance: Signal Pin 5000MΩ min. at DC 500V.
Power Pin 20000MΩ min. at DC 500V.

Contact Resistance: Signal Pin 15mΩ max. at DC 20mA.
Power Pin 0.7mΩ max. at DC 20mA.

Operating Temperature: -40°C ~ +105°C .

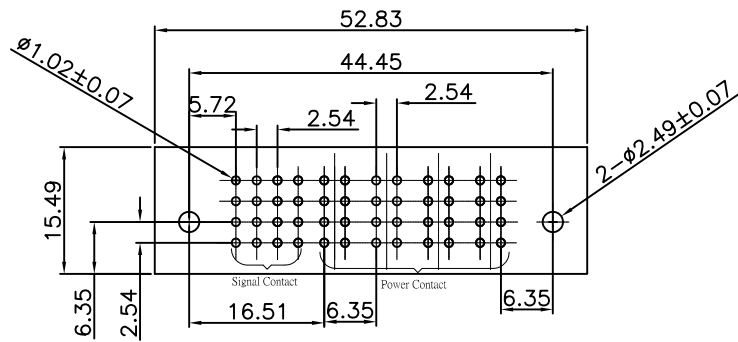
***RoHS Compliant**

Notes :

H: High density Power---PCB Mount 5.08mm Pitch
P: DC Power---PCB Mount 6.35mm Pitch
A: AC Power---PCB Mount 7.62mm Pitch
S: Signal---PCB Mount 2.54mm Pitch

| ROWS | | SIGNAL | | | POWER | | | | |
|------|--|--------|---|---|-------|----|----|----|----|
| | | 4 | 3 | 2 | 1 | P4 | P3 | P2 | P1 |
| D | | LLLLL | | | | | | | |
| C | | LLLLL | | | | FS | FS | FS | FS |
| B | | LLLLL | | | | | | | |
| A | | LLLLL | | | | | | | |

| | |
|---|----|
| POWER CONTACT TO THE TOP DISTANCE 2.34mm, THE MATING LENGTH 4.06mm | FM |
| POWER CONTACT TO THE TOP DISTANCE 1.07mm, THE MATING LENGTH 5.33mm | FS |
| SIGNAL CONTACT 3.43 SOLDER TAIL, PD/NI | L |



P.C.Board Layout
(Tolerance:±0.05)

9391-A 4 S16 P04 CB 30 D L A
Series
4: Femla Right-angle
Blank: Without Contact
Signal Contact: S xx
No. of position
Blank: Without Contact
Power Contact: Hxx, Pxx, Axx
No. of position
A: Tray Package
Blank: Without Lock
L: With Lock
D: Dip Type
30: 30u"
CB: Dip Tin Plated
Contact Au+Pd/Ni Plated

| | | | | |
|-------------|------------|----------------|-------|-----------------------------|
| Tolerances | Dwg. No. | 9391-D0000-077 | | Title: |
| x = ±0.5 | Projection | | | 9391 Series |
| .x = ±0.25 | Unit | mm | Scale | 1:1 |
| .xx = ±0.15 | Drawn By | zbs 05/20'16 | | Female Right-angle Dip Type |

| | | | |
|--------------------------------------|-----|----------|----|
| | | | |
| OUPIIN ELECTRONIC(KUNSHAN) CO., LTD. | | | |
| P/N:9391-A4S16P04CB30DLA | | | |
| SHEET | 1/1 | Ver. No. | R2 |