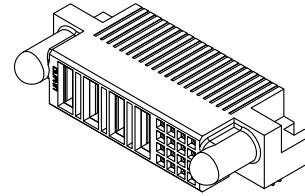
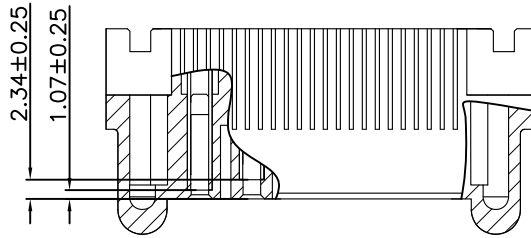


REV.	SPECIFICATION	ECN NO.	APPD.
R1		ECN160213	



Material and Plating:

Housing: LCP, 30% Glass Filled, UL94V-0, BLACK.
 Power Contacts: High Conductivity Copper.
 30u"Au+Pd/Ni on Contact Area and 80u" Min Tin Plated on Solder Tail over nickel 50u" Min under plated.
 Signal Contacts: Phosphor Bronze.
 30u"Au+Pd/Ni on Contact Area and 80u" Min Tin Plated on Solder Tail over nickel 50u" Min under plated.
 Lock: Phosphor Bronze.

Electrical Characteristics:

Current Rating: Signal Pin 2.5 AMP.
 Power Pin 30 AMP.
 Dielectric Withstanding Voltage:
 Signal Pin DC 1000V For 1 minute.
 Power Pin DC 2500V For 1 minute.
 Insulator Resistance: Signal Pin 5000MΩ min. at DC 500V.
 Power Pin 20000MΩ min. at DC 500V.
 Contact Resistance: Signal Pin 15mΩ max. at DC 20mA.
 Power Pin 0.7mΩ max. at DC 20mA.
 Operating Temperature: -40°C ~+105°C.

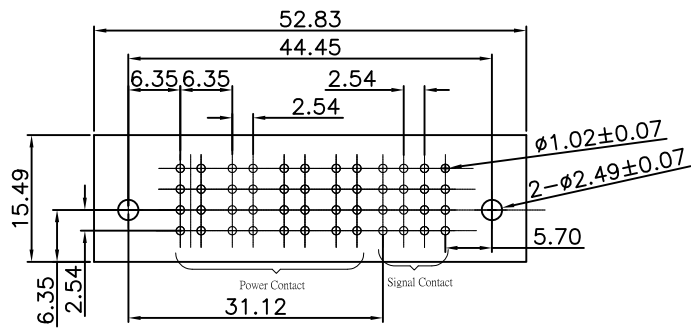
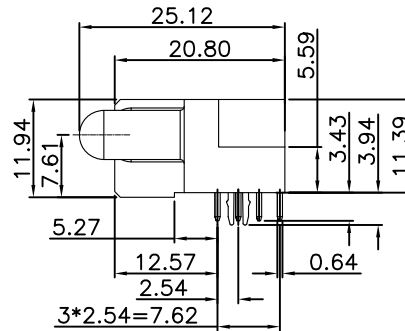
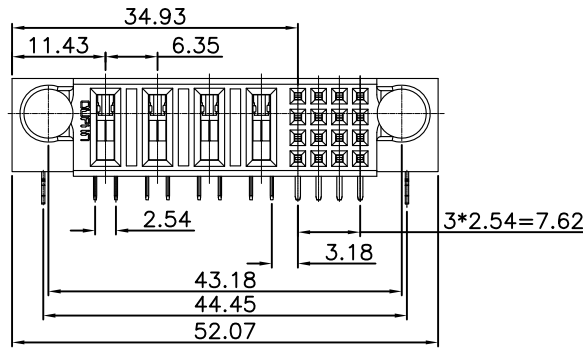
***RoHS Compliant**

Notes 1:

H: High density Power---PCB Mount 5.08mm Pitch
 P: DC Power---PCB Mount 6.35mm Pitch
 A: AC Power---PCB Mount 7.62mm Pitch
 S: Signal---PCB Mount 2.54mm Pitch

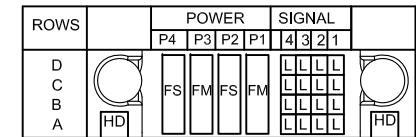
Notes 2:

P1,P3: Power Contact to The Top Distance is 2.34mm.
 P2,P4: Power Contact to The Top Distance is 1.07mm.



P.C. Board Layout
 (Tolerance: ±0.05)

Series 9391-A 4 P04 S16 CB 30 D L A -A003 Internal Code
 4: Female Right-angle
 Blank: Without Contact
 Power Contact: Hxxx Pxx , Axx
 No. of position
 Blank: Without Contact
 Signal Contact: S xx
 No. of position
 A: Tray Package
 L: With Lock
 D: Dip Type
 30: 30u"
 CB: Dip Tin Plated
 Contact Au+Pd/Ni Plated



POWER CONTACT TO THE TOP DISTANCE 2.34mm, THE MATING LENGTH 4.06mm	FM
POWER CONTACT TO THE TOP DISTANCE 1.07mm, THE MATING LENGTH 5.33mm	FS
SIGNAL CONTACT 3.43 SOLDER TAIL, PD/Ni	L

Tolerances	Dwg. No.	9391-D0000-104		Title:	 OUPIIN ELECTRONIC(KUNSHAN) CO., LTD. P/N: 9391-A4P04S16CB30DLA-A003 SHEET 1/1 Ver. No. R1			
x = ±0.5	Projection			9391 Series				
.x = ±0.25	Unit	mm	Scale	Female Right-angle				
.xx = ±0.15	Drawn By	CXP 03/30'17	1:1	Press Fit Type				