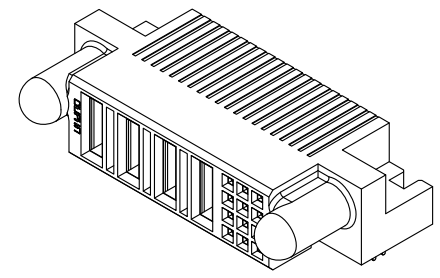
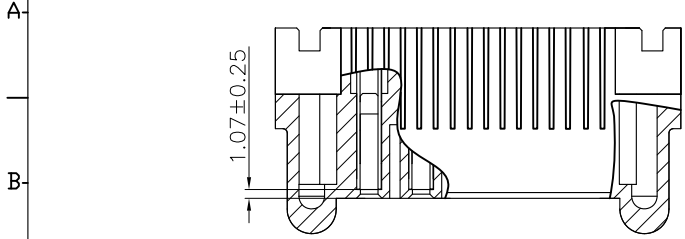


REV.	SPECIFICATION	ECN NO.	APPD.
R2		ECN201126	



**Material and Plating:**

Housing: LCP, UL94V-0, BLACK.  
 Power Contacts: High Conductivity Copper.  
 30u"Au+Pd/Ni on Contact Area and 80u" Min Tin Plated on Solder Tail over nickel 50u" Min under plated.  
 Signal Contacts: Phosphor Bronze.  
 30u"Au+Pd/Ni on Contact Area and 80u" Min Tin Plated on Solder Tail over nickel 50u" Min under plated.  
 Lock: Phosphor Bronze.

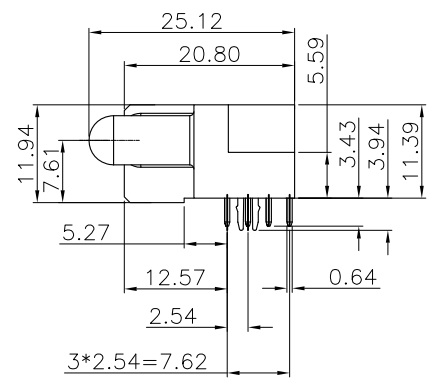
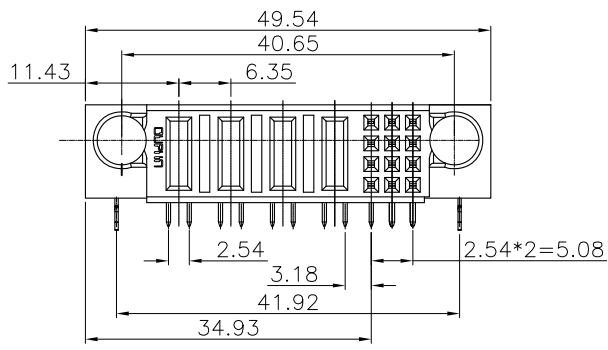
**Electrical Characteristics:**

Current Rating: Signal Pin 2.5 AMP.  
 Power Pin 30 AMP.  
 Dielectric Withstanding Voltage:  
 Signal Pin DC 1000V For 1 minute.  
 Power Pin DC 2500V For 1 minute.  
 Insulator Resistance: Signal Pin 5000MQ min. at DC 500V.  
 Power Pin 20000MQ min. at DC 500V.  
 Contact Resistance: Signal Pin 15mΩ max. at DC 20mA.  
 Power Pin 0.7mΩ max. at DC 20mA.  
 Operating Temperature: -40°C ~+105°C.

**\*RoHS Compliant**

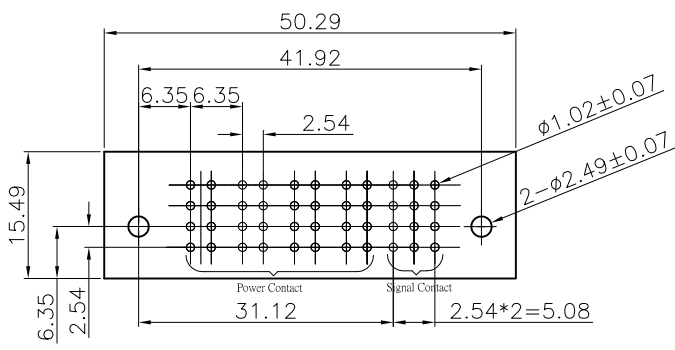
Notes 1:

- H: High density Power---PCB Mount 5.08mm Pitch
- P: DC Power---PCB Mount 6.35mm Pitch
- A: AC Power---PCB Mount 7.62mm Pitch
- S: Signal---PCB Mount 2.54mm Pitch

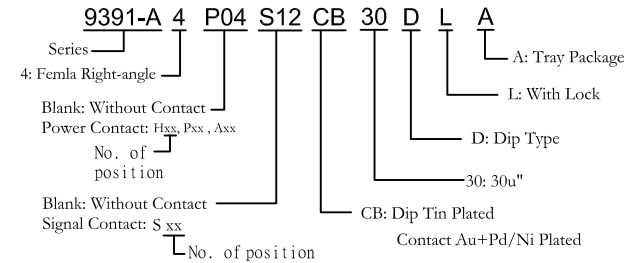


ROWS	POWER				SIGNAL	
	P4	P3	P2	P1	S3	S1
D	○	○	○	○	○	○
C	○	○	○	○	○	○
B	○	○	○	○	○	○
A	○	○	○	○	○	○

POWER CONTACT TO THE TOP DISTANCE 2.34mm, THE MATING LENGTH 4.06mm	FM
POWER CONTACT TO THE TOP DISTANCE 1.07mm, THE MATING LENGTH 5.33mm	FS
SIGNAL CONTACT 3.43 SOLDER TAIL, PD/NI	L



P.C.Board Layout  
(Tolerance:±0.05)



Tolerances	Dwg. No.	9391-D0000-117		Title:	
x = ±0.5	Projection	⊕		9391 Series Female Right-angle Dip Type	
.x = ±0.25	Unit	mm	Scale		1:1
.xx = ±0.15	Drawn By	XS 07/23'21			

**OUPIN**  
 OUPIIN ELECTRONIC(KUNSHAN) CO., LTD.  
 P/N: 9391-A4P04S12CB30DLA  
 SHEET 1/1 Ver. No. R2