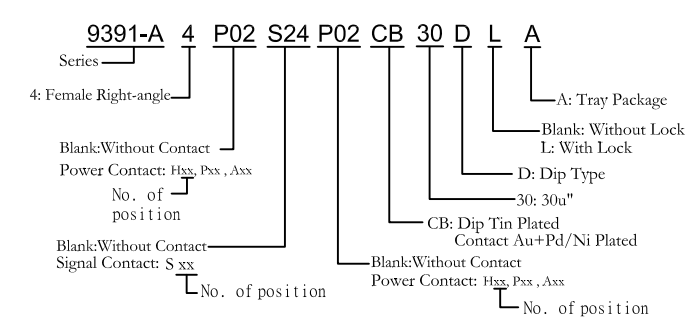
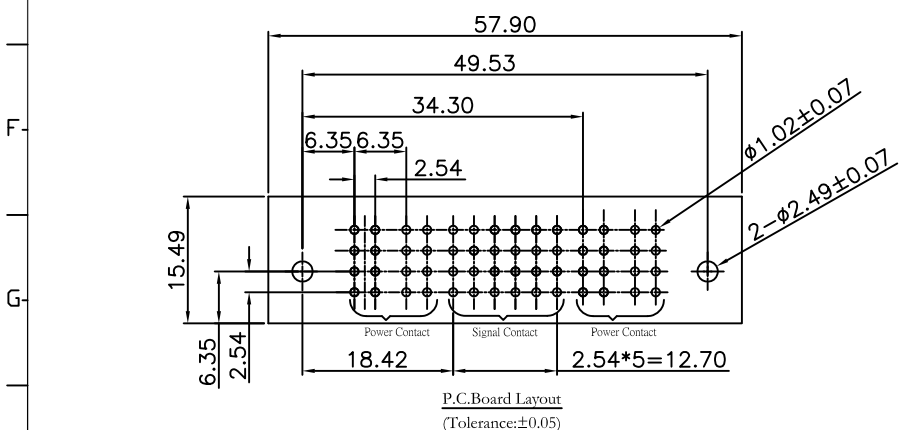
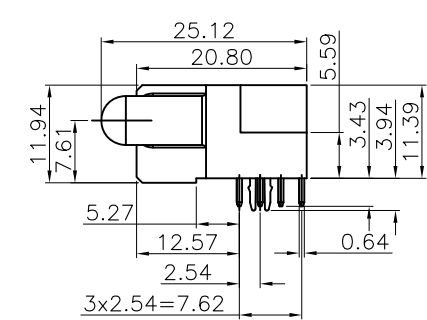
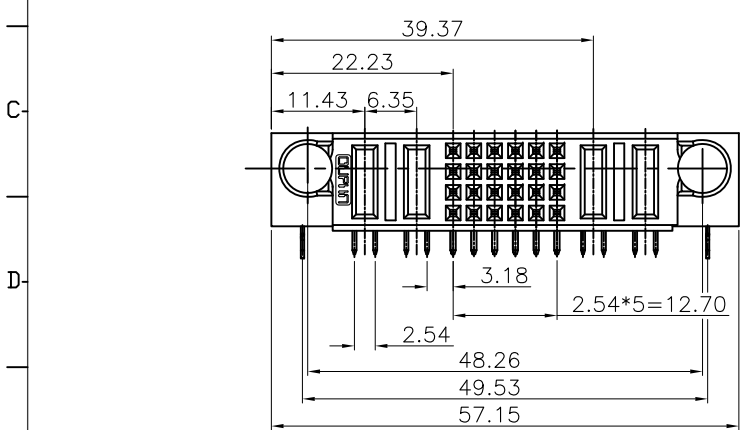
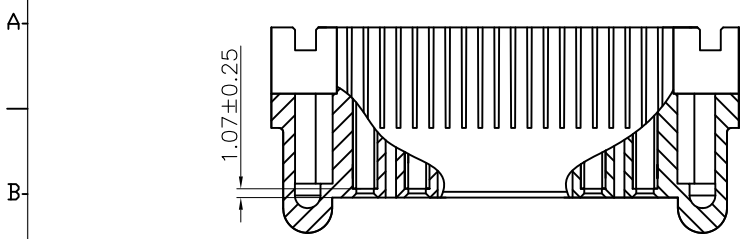


REV.	SPECIFICATION	ECN NO.	APPD.
R1		ECN180652	



**Material and Plating:**  
Housing: LCP, UL94V-0, BLACK.  
Power Contacts: High Conductivity Copper.  
30u"Au+Pd/Ni on Contact Area and 80u" Min Tin Plated on Solder Tail over Nickel 50u" Min under plated .  
Signal Contacts : Phosphor Bronze.  
30u"Au+Pd/Ni on Contact Area and 80u" Min Tin Plated on Solder Tail over nickel 50u" Min under plated .  
Lock: Phosphor Bronze.

**Electrical Characteristics:**  
Current Rating: Signal Pin 2.5 AMP.  
Power Pin 30 AMP.  
Dielectric Withstanding Voltage:  
Signal Pin DC 1000V For 1 minute.  
Power Pin DC 2500V For 1 minute.  
Insulator Resistance: Signal Pin 5000MΩ min. at DC 500V.  
Power Pin 20000MΩ min. at DC 500V.  
Contact Resistance: Signal Pin 15mΩ max. at DC 20mA.  
Power Pin 0.7mΩ max. at DC 20mA.  
Operating Temperature: -40°C ~+105°C .

**\*RoHS Compliant**  
Notes 1 :  
H: High density Power---PCB Mount 5.08mm Pitch  
P: DC Power---PCB Mount 6.35mm Pitch  
A: AC Power---PCB Mount 7.62mm Pitch  
S: Signal---PCB Mount 2.54mm Pitch

ROWS	POWER		SIGNAL			POWER		
	P4	P3	6	5	4	3	2	
D								
C								
B								
A	HD							HD

POWER CONTACT TO THE TOP DISTANCE 2.34mm, THE MATING LENGTH 4.06mm	FM
POWER CONTACT TO THE TOP DISTANCE 1.07mm, THE MATING LENGTH 5.33mm	FS
SIGNAL CONTACT 3.43 SOLDER TAIL, PD/NI	L

Tolerances	Dwg. No.	9391-D0000-087		Title:		 <b>OUPIIN ELECTRONIC(KUNSHAN) CO., LTD.</b> P/N: 9391-A4P02S24P02CB30DLA SHEET 1/1 Ver. No. R1			
x = ±0.5	Projection			9391 Series					
.x = ±0.25	Unit	mm	Scale	Female Right-angle					
.xx = ±0.15	Drawn By	CXP	12/20/'16	Dip Type					