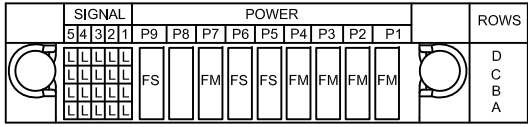


REV.	SPECIFICATION	ECN NO.	APPD.
R1		ECN191213	

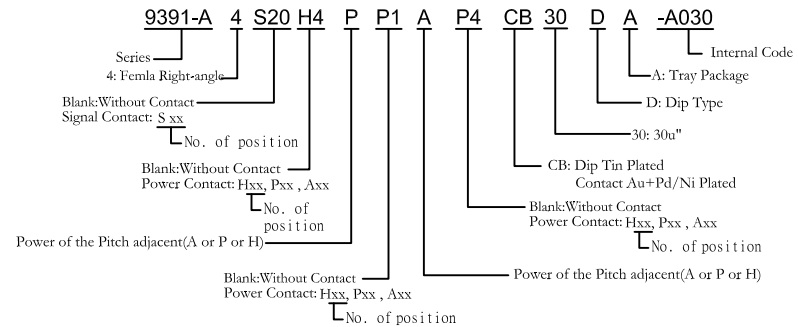
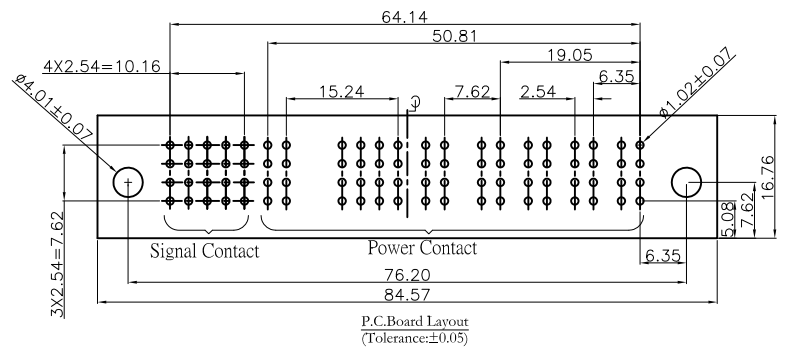
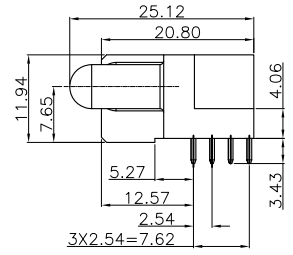
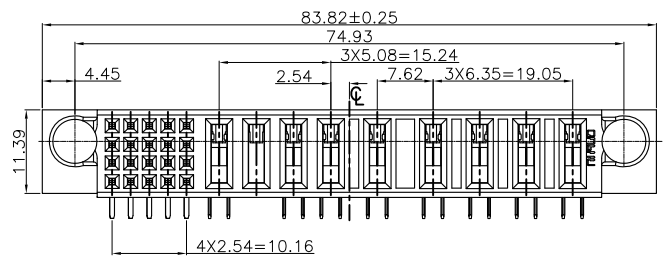
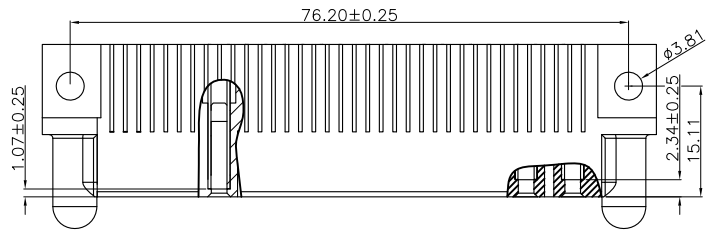
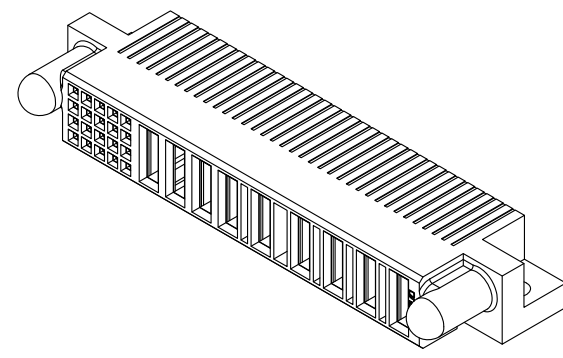
Material and Plating:
Housing: LCP, UL94V-0, BLACK.
Power Contacts: High Conductivity Copper.
30u"Au+Pd/Ni on Contact Area and 80u" Min Tin Plated on Solder Tail over Nickel 50u" Min .
Signal Contacts : Phosphor Bronze.
30u"Au+Pd/Ni on Contact Area and 80u" Min Tin Plated on Solder Tail over Nickel 50u" Min .

Electrical Characteristics:
Current Rating: Signal Pin 2.5 AMP.
Power Pin 30 AMP.
Dielectric Withstanding Voltage:
Signal Pin DC 1000V For 1 minute.
Power Pin DC 2500V For 1 minute.
Insulator Resistance: Signal Pin 500MΩ min. at DC 500V.
Power Pin 10000MΩ min. at DC 500V.
Contact Resistance: Signal Pin 20mΩ max. at DC 20mA.
Power Pin 0.7mΩ max. at DC 20mA.
Operating Temperature: -40°C ~+105°C .

***RoHS Compliant**
Notes 1 :
H: High density Power--PCB Mount 5.08mm Pitch
P: DC Power--PCB Mount 6.35mm Pitch
A: AC Power--PCB Mount 7.62mm Pitch
S: Signal--PCB Mount 2.54mm Pitch
Notes 2 :
P8 Without Contact
P5,P6,P9 : Power Contact to The Top Distance is 1.07mm.
Other Power: Power Contact to The Top Distance is 2.34mm.



POWER CONTACT TO THE TOP DISTANCE 2.34mm, THE MATING LENGTH 4.06mm	FM
POWER CONTACT TO THE TOP DISTANCE 1.07mm, THE MATING LENGTH 5.33mm	FS
SIGNAL CONTACT 3.43 SOLDER TAIL, PD/Ni	L



Tolerances	Dwg. No.	9391-D0000-246	Title:
x = ±0.5	Projection		9391 Series
.x = ±0.25	Unit	mm	Scale
.xx = ±0.15	Scale	1:1	1:1
	Drawn By	bo-min 12/11'19	

Title:
9391 Series
Female Right-angle Dip Type

OUPIN			
OUPIN ELECTRONIC(KUNSHAN) CO., LTD.			
P/N: 9391-A4S20H4PP1AP4CB30DA-A030			
SHEET	1/1	Ver. No.	R1