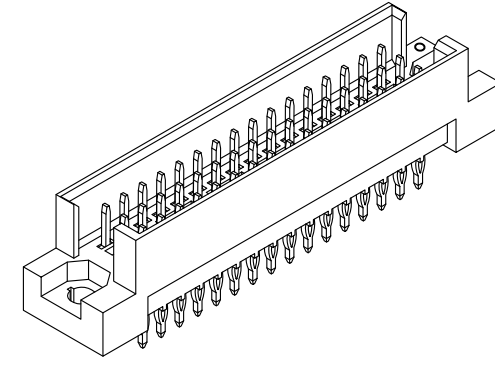
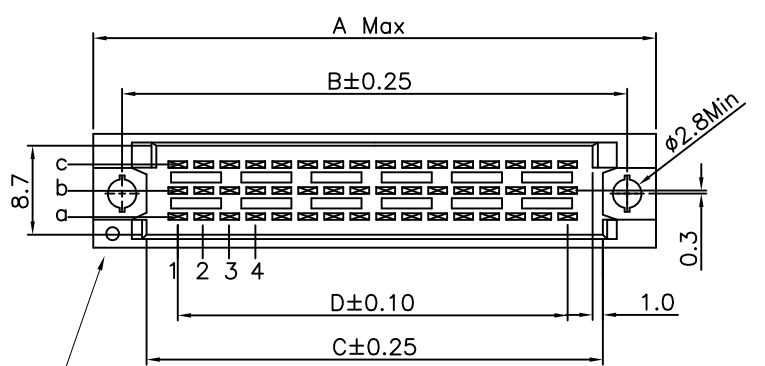


REV.	SPECIFICATION	ECN NO.	APPD.
R6		ECN220502	



**Material and Plating:**

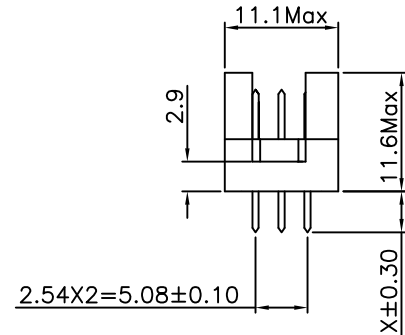
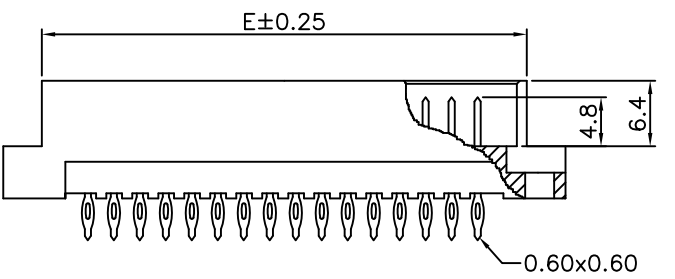
Housing: PBT UL94V-0, Beige.  
 Contacts: Brass.  
 Gold Plated on Contact Area and 80u" Min Tin or Gold Flash Plated on Press Fit over Nickel 50u" Min .

**Electrical Characteristics:**

Current Rating: 2 AMP.  
 Dielectric Withstanding Voltage: AC 1000V For 1 minute.  
 Insulator Resistance: 10<sup>6</sup> MΩ min. at DC 500V.  
 Contact Resistance: 20mΩ max. at DC 100mA.  
 Operating Temperature: -55°C~+125°C.

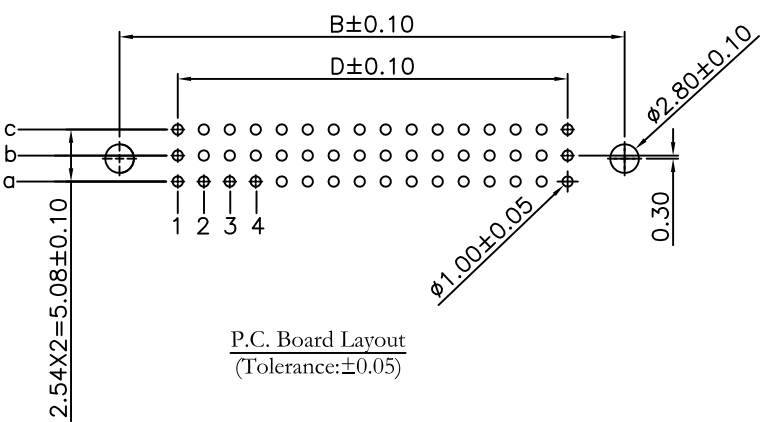
**\*RoHS Compliant**

The "o" mark applies only to connectors with 30pins or 20pins and 10pins.



Length	1	2	W1	W2
X	4.6	6.3	13	17

Dimension					
Position	A	B	C	D	E
48/32/16	55.0	49.36	44.60	38.10	47.40
30/20/10	39.8	34.12	29.36	22.86	32.16



P.C. Board Layout  
(Tolerance: ±0.05)

Series: 9001- 1 7 xx x C xx P A  
 1: 2.54mm  
 7: Male  
 Position  
 1: Dip Length  
 2: Dip Length  
 W1: Dip Length  
 W2: Dip Length  
 C: Selective Gold Plated  
 G: Gold Plated  
 A: Tray Package  
 P: Press Fit  
 00: G/F  
 10: 10μ  
 15: 15μ  
 30: 30μ

Pitch	Position	Rows with Contacts	Contact Arrange	P/N
	48	a b c		9001-1748xCxxPA
	32	a - c		9001-1732xCxxPA
	30	a b c		9001-1730xCxxPA
	20	a - c		9001-1720xCxxPA
	16	a - -		9001-1716xCxxPA
10	a - - -		9001-1710xCxxPA	

Tolerances	Dwg No.	9001D17002		Title:	
x = ±0.5	Projection			9001 Series DIN41612 Half R Type Male	
.x = ±0.25	Unit	mm	Scale		1:1
.xx = ±0.15	Drawn By	ZY 05/05'22			

**OUPIN**  
 OUPIN ELECTRONIC(KUNSHAN) CO., LTD.  
 P/N: 9001-17xxx CxxPA  
 SHEET 1/1 Ver.No. R6