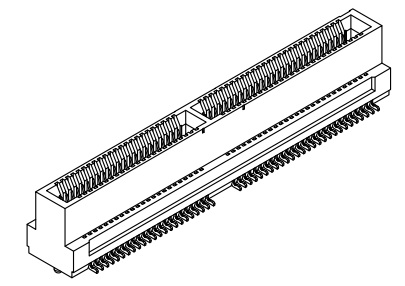
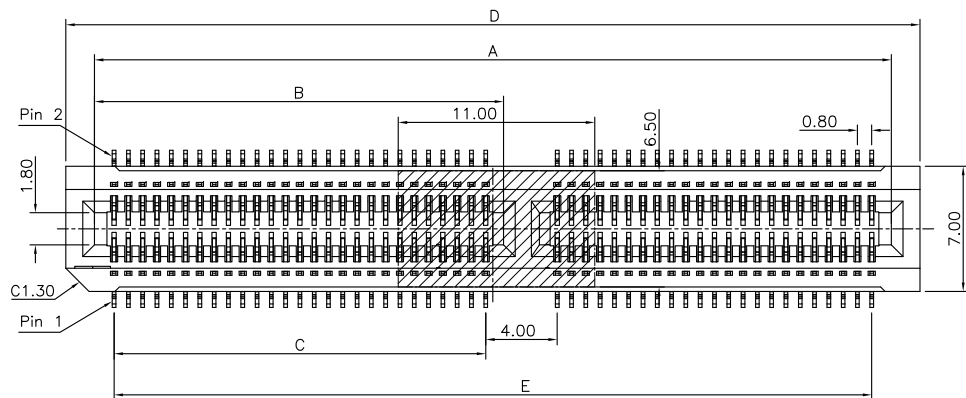


REV.	SPECIFICATION	ECN NO.	APPD.
X3			



Material and Plating:

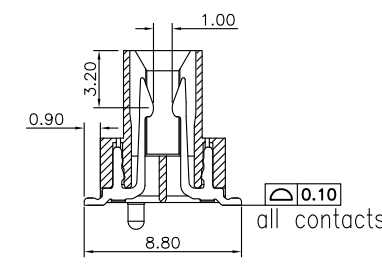
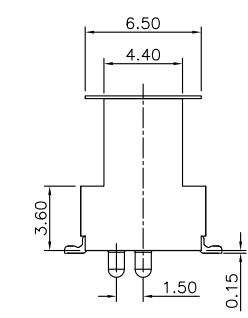
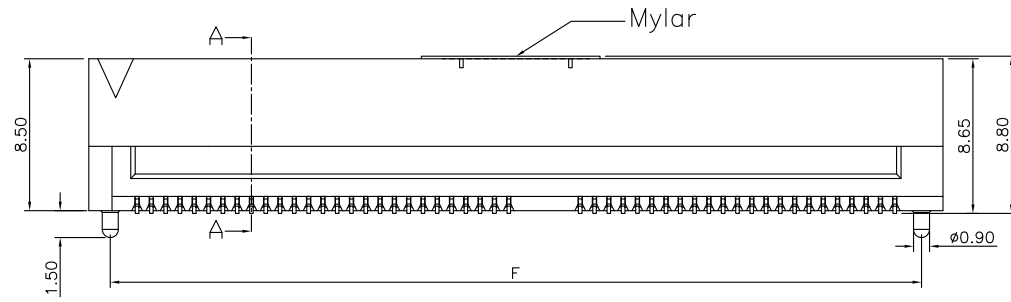
Housing: LCP, UL94V-0 Black.
 Contacts: Phosphor Bronze.
 Gold Plated on Contact Area and 80u"Min Tin Plated on Solder tail over Nickel 50u" Min .

Electrical Characteristics:

Current Rating: 1.8A @ 30°C Temperature Rise.
 Dielectric Withstanding Voltage: AC 600V For 1 minute.
 Insulator Resistance: 100000MΩ min. at DC 500V.
 Contact Resistance: 15.8mΩ max. at DC 100mA.
 Operating Temperature: -55°C~+125°C.

***RoHS Compliant**


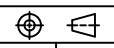
Insertion Depth: 4.22mm To 5.66mm.
 Mates With: 1.60±0.1mm Thick Edge Card.
 Speed: 18Gbps @-3dB.



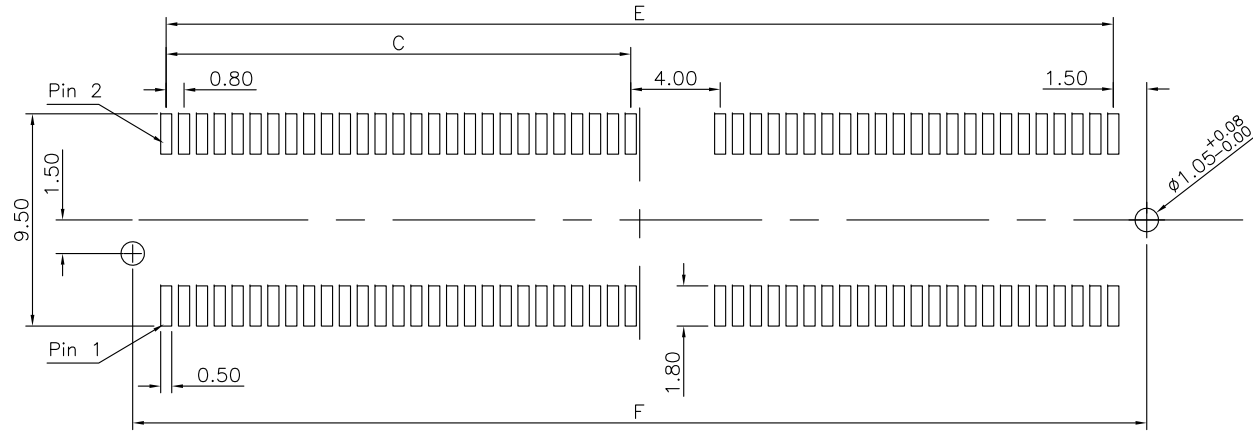
Section A-A

8208- 2 X xx C 30 D P 1 T -S
 Series ———
 Double Row ———
 Position Per Row ———
 C: Selective Gold Plated
 00: 00µ"
 10: 10µ"
 15: 15µ"
 30: 30µ"
 D: SMD Type
 P: With Post
 N: Without Post
 T: Tape&Reel Packaging
 U: Tube Packaging
 1: With Front Key
 S: Mylar
 P: Plastic Pad

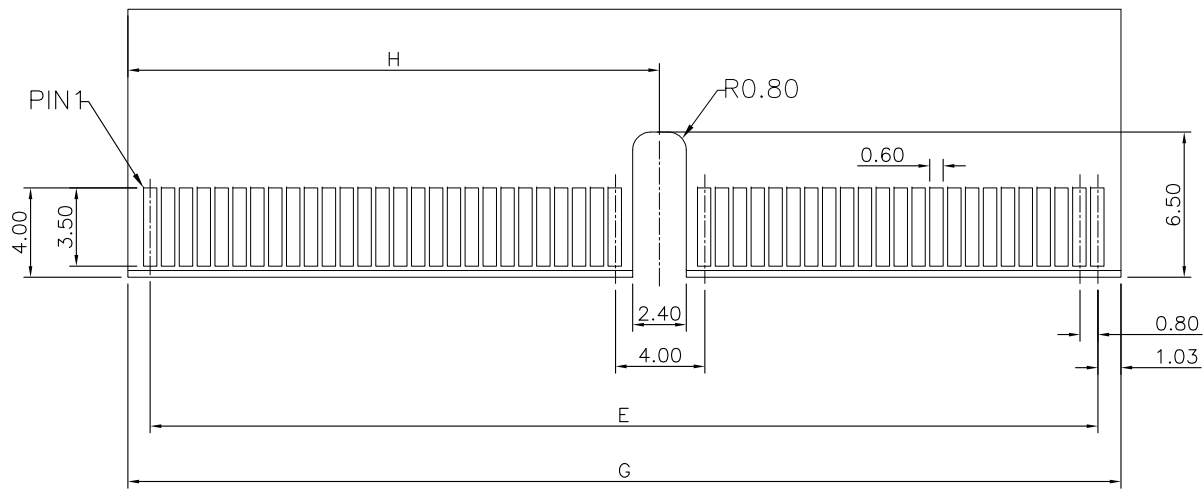
Position	**Available Position Dimension							
	A	B	C	D	E	F	G	H
80	36.60	18.90	16.80	39.80	34.40	37.40	36.45	19.83
90	40.60	20.50	18.40	43.80	38.40	41.40	40.45	21.43
• 100	44.60	22.90	20.80	47.80	42.40	45.40	44.45	23.83
120	52.60	30.90	24.80	55.80	50.40	53.40	52.45	27.83
140	60.60	60.60	28.80	63.80	58.40	61.40	60.45	31.83

Tolerances	Dwg. No.	8208-D0000-013		Title:		 OUPIN ELECTRONIC(KUNSHAN) CO., LTD. P/N: 8208-2XxxC30DP1T-S	
x = ±0.50	Projection			8208 Series			
.x = ±0.25	Unit mm	Scale	1:1	Edge Card Connector			
.xx = ±0.15	Drawn By	ZY	3/14'22	0.80mm (0.0315") Pitch SMD Type			
		SHEET	1/2	Ver.No.	X3		

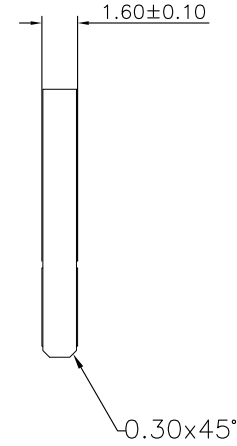
REV.	SPECIFICATION	ECN NO.	APPD.
X3			


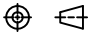


P.C. Board Layout
(Tolerance ± 0.05)



RECOMMENDED MATTING BOARD FOOTPRINT
(Tolerance: ± 0.05)



Tolerances x = ± 0.50 .x = ± 0.25 .xx = ± 0.15	Dwg. No.	8208-D0000-013		Title: 8208 Series Edge Card Connector 0.80mm (0.0315") Pitch SMD Type Ⓢ(T)	 OUPIIN ELECTRONIC(KUNSHAN) CO., LTD.				
	Projection								P/N: 8208-2XxxC30DP1T-S
	Unit	mm	Scale		1:1	SHEET	2/2	Ver.No.	
	Drawn By	ZY 3/14'22							