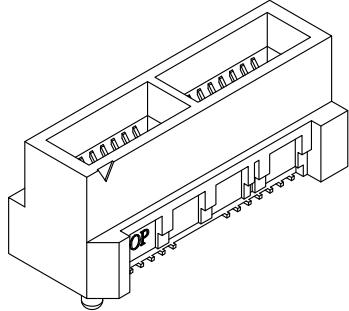
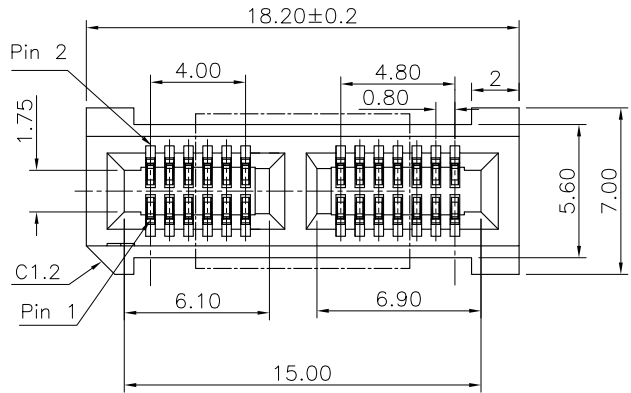


REV.	SPECIFICATION	ECN NO.	APPD.
R7		ECN200633	



Material and Plating:

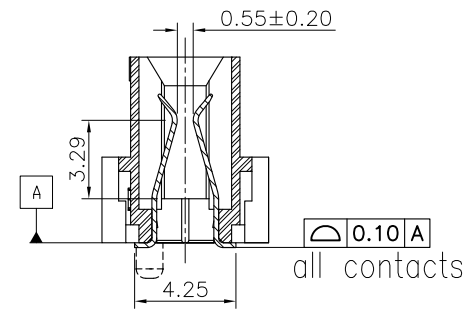
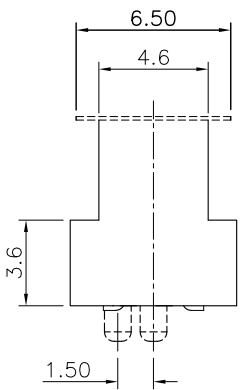
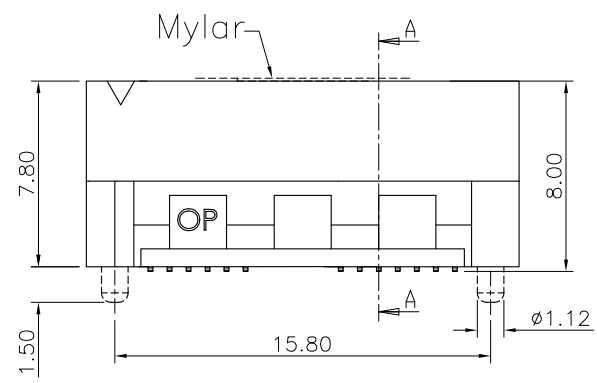
Housing: LCP, UL94V-0,Black.
 Contacts: High Performance Copper Alloy.
 Gold Plated on Contact Area and 80u" Min Tin Plated on Solder Tail over Nickel 50u" Min .

Electrical Characteristics:

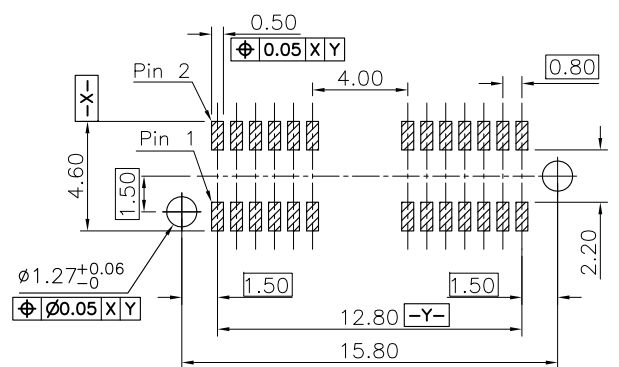
Current Rating: 3.1 AMP.
 Dielectric Withstanding Voltage: AC 600V For 1 minute.
 Insulator Resistance: 6000MΩ min. at DC 250V.
 Contact Resistance: 8.4mΩ max. at DC 100mA.
 Operating Temperature: -55°C~+125°C.

***RoHS Compliant**

Insertion Depth: 3.15mm To 5.55mm.
 Speed: 28+Gbps @-3dB.



Section A-A

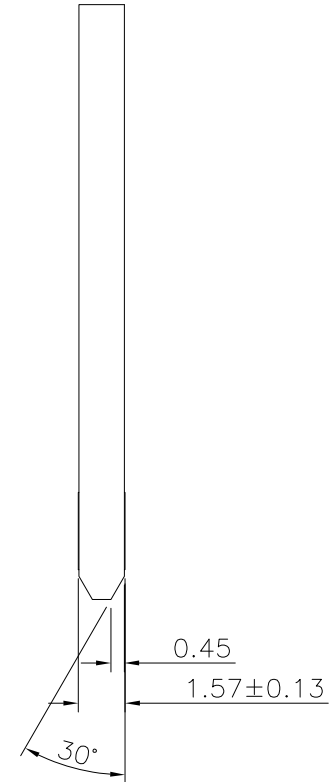
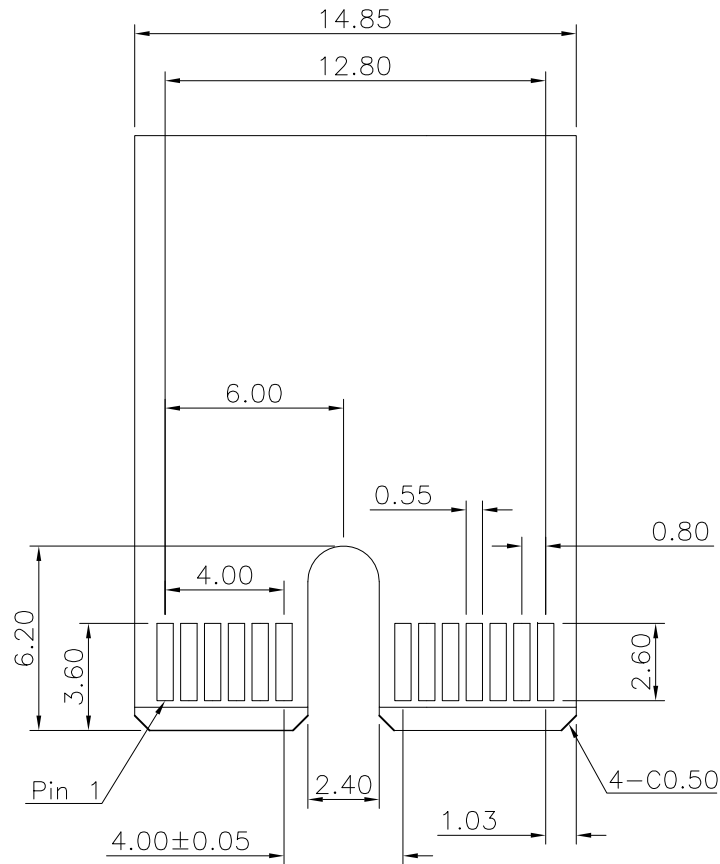


P.C. Board Layout
(Tolerance ±0.05)


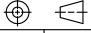
Series: 8206- 2 X 13 C 30 D P 1 T - S
 Double Row
 Position Per Row
 C: Selective Gold Plated
 00: 00u" 10: 10u" 15: 15u" 30: 30u"
 S: Mylar
 P: Plastic Pad
 Blank: Without Pad
 T: Tape&Reel Package
 U: Tube Package
 1: With Front Key
 P: With Post
 N: Without Post
 D: SMD Type

Tolerances	Dwg.No.	8206-D0000-004	Title:	 OUPIIN ELECTRONIC(KUNSHAN) CO., LTD. P/N:8206-2X13C30DP1T-S				
x = ±0.50	Projection		8206 Series Edge Card Connector 0.80mm (0.0315") Pitch SMD Type					
.x = ±0.25	Unit	mm	Scale	1:1	SHEET	1/2	Ver.No.	R7
.xx = ±0.15	Drawn By	WQ 06/19'20						

REV.	SPECIFICATION	ECN NO.	APPD.
R7		ECN200633	



RECOMMENDED MATING BOARD FOOTPRINT
(Tolerance: ±0.05)

Tolerances	Dwg.No.	8206-D0000-004	Title:		 OUPIIN ELECTRONIC(KUNSHAN) CO., LTD.
x = ±0.50	Projection		8206 Series Edge Card Connector 0.80mm (0.0315") Pitch SMD Type		
.x = ±0.25	Unit	mm	Scale	1:1	P/N: 8206-2X13C30DP1T-S
.xx = ±0.15	Drawn By	WQ 06/19'20			SHEET 2/2
					Ver.No. R7