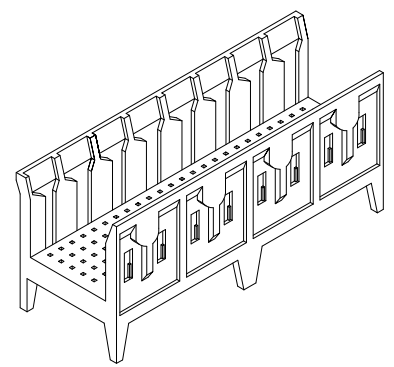
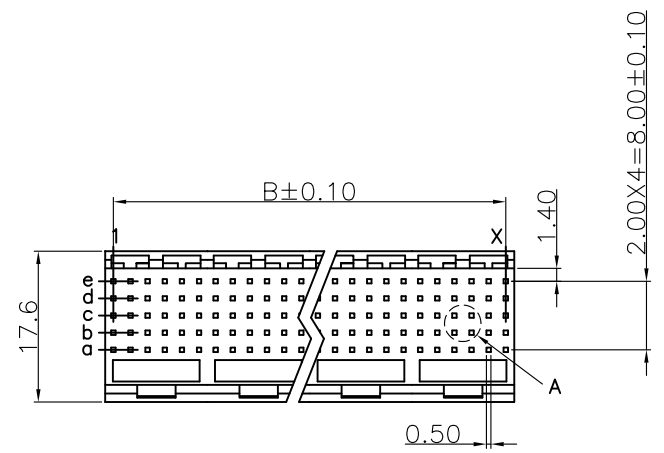
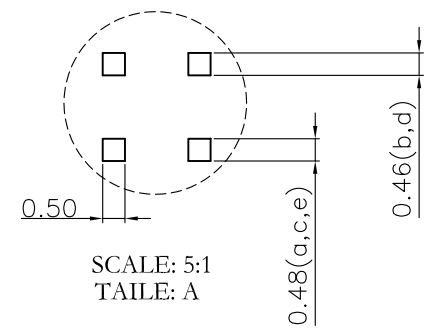
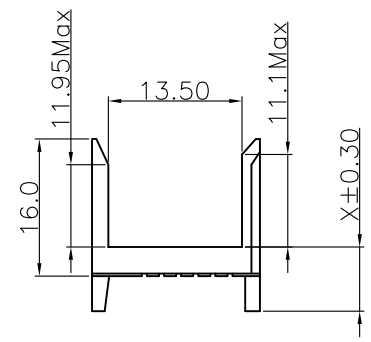
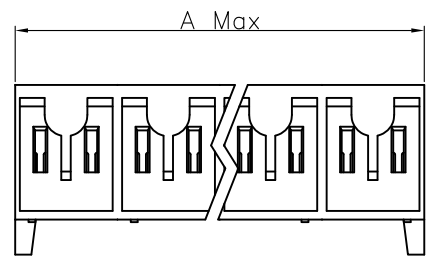


REV.	SPECIFICATION	ECN NO.	APPD.
R1		ECN110434	



**Material:**  
Housing: High Temperature Plastic UL94V-0  
**Electrical Characteristics:**  
Dielectric Withstanding Voltage: AC 1000V For 1 minute.  
Insulator Resistance: 1000MΩ min. at DC 500V.  
Operating Temperature: -65°C~+125°C.  
**\*RoHS Compliant**



SCALE: 5:1  
TAILE: A

X Length	H1	H2	H3
	Dimension		
Position	A	B	
30	11.95	10.00	
60	23.95	22.00	
90	35.95	34.00	
120	47.95	46.00	
150	59.95	58.00	
180	71.95	70.00	
210	83.95	82.00	
240	95.95	94.00	
270	107.95	106.00	
300	119.95	118.00	
330	131.95	130.00	
360	143.95	142.00	
390	155.95	154.00	

9111- 5 1 xx Hx B  
Series: 5: 5Rows  
Position: 1: Male  
B: Bulk Package  
H1: Housing Type  
H2: Housing Type  
H3: Housing Type

<b>Tolerances</b>	<b>Drawn No.</b> 9111D51058	<b>Title:</b> 9111 Series H.D. 2.0mm(0.079') Futurebus (+) 5 Rows Shroud	<b>OUPIN</b> OUPIN ELECTRONIC(KUNSHAN) CO., LTD. P/N: 9111-51xxHxB
x = ±0.5	<b>Projection</b>	<b>SHEET</b> 1/1 <b>Ver.No.</b> R1	
.x = ±0.25	<b>Unit</b> mm <b>Scale</b> 1:1		
.xx = ±0.15	<b>Drawn By</b> Ji 04/21'11		