

歐品電子(昆山)有限公司

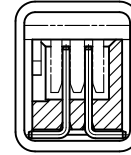
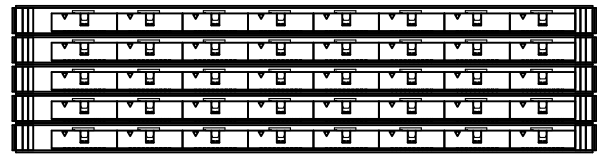
OUPIN ELECTRONIC(KUNSHAN) CO.,LTD.

PACKAGING SPECIFICATION (包裝作業規範)

SPEC.NO.(規範編號)	3216SPP-DU	適用產品: 3216-60G00DBU	PAGE	1/1	REV.	I538-A
----------------	------------	---------------------	------	-----	------	--------

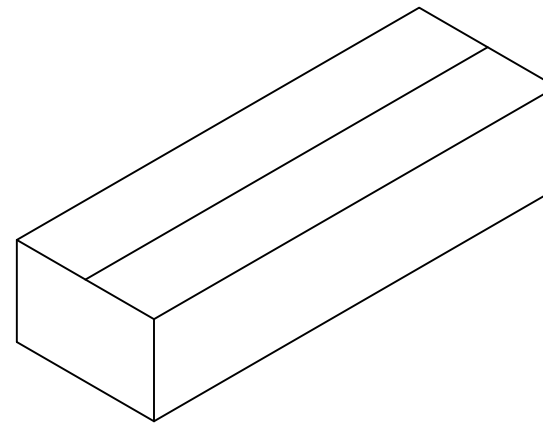
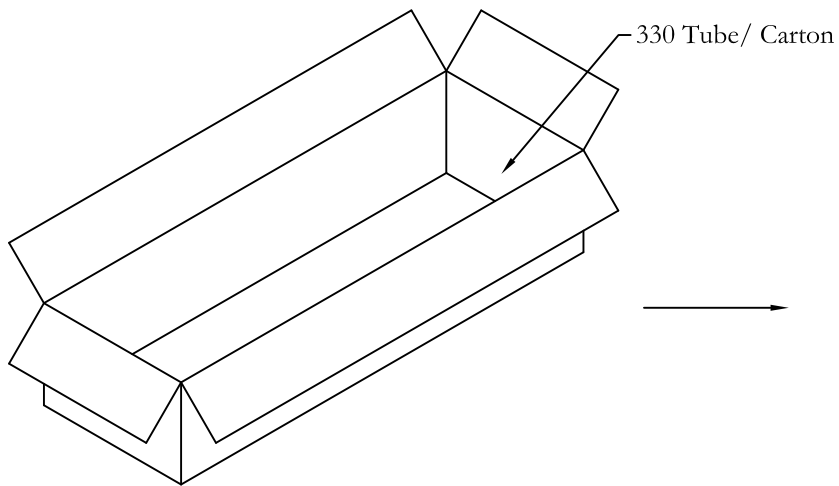
PACKING OPERATION DIAGRAM & INSTRUCTION (包裝作業圖示及說明)

REMARK (備註)



Tube(L):635(mm)

8.5(mm)X7.0(mm)



Carton: 660(mm)X225(mm)X145(mm)

Packing:
13 Pcs/ Tube
330 Tube/ Carton
4290 Pcs/ Carton

Carton
N.W.= 10.4 Kg
G.W.= 11.4Kg

Drawn By: Vic Lyu 02/05'15